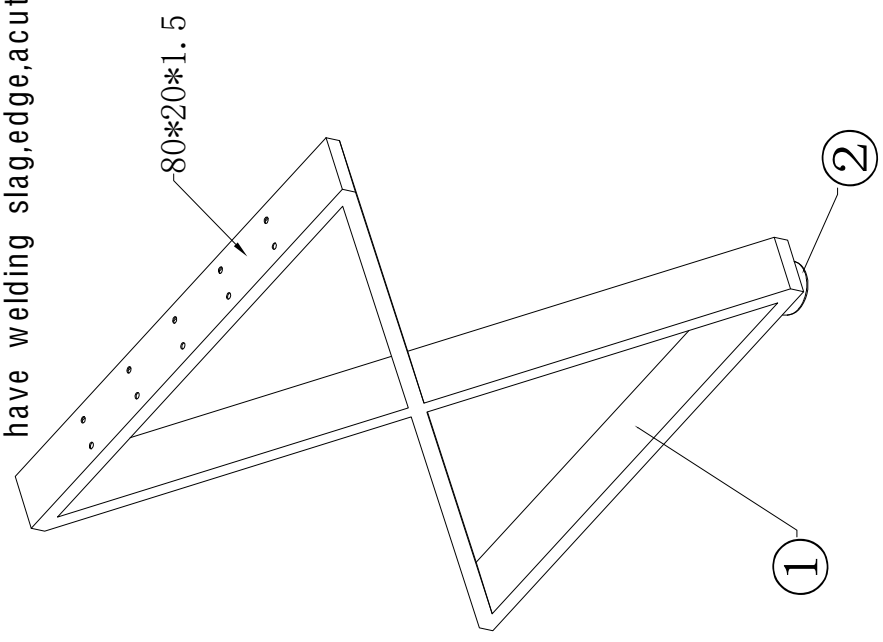


Note: 1. The welding place shall be fully welded and polished

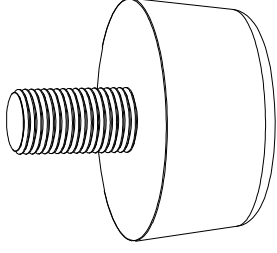
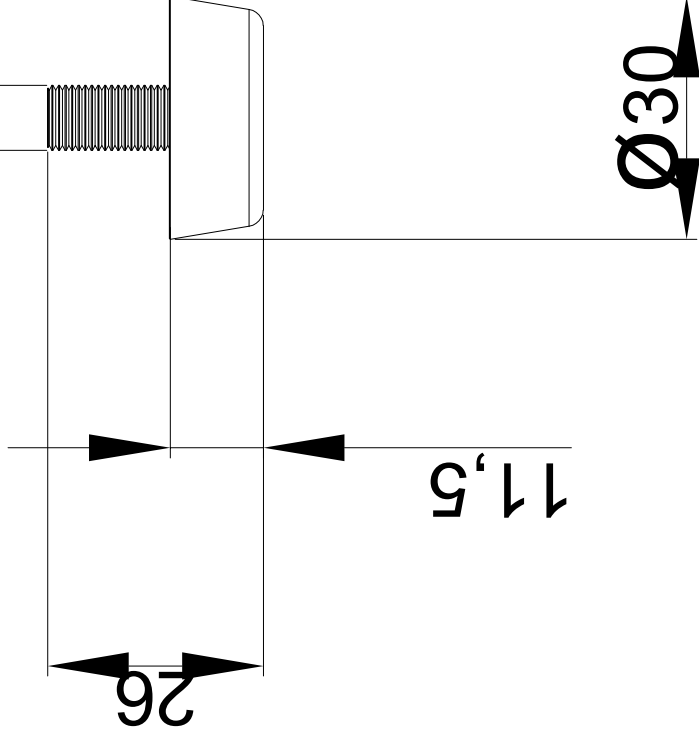
2. The smooth surface can not have welding slag, edge, acute Angle



No	Name of parts	Qty	Unit	MM
1	Table leg	1		
2	adjustable	2		
3			Tolerance: ±3	
4			Digit: 0.0	
5			Material: A3	
6			Finished: Based on order	
7			日期	2023-11-7
8			900/909/174/170	

RichelieuHardware	
Product size	W680*H1100
Item No	680751100XXX
A4	制图
	审核
刘泽华	
共 2 页	A版
第 1 页	

m8



Unit:	MM
Qty:	2
Tolerance:	±1
Digit:	0.0
material	A3
Color	Black

RichelieuHardware	
Product	680751100XXX
Part name adjustable leg	
A4	制图 刘泽华
	审核
日期	2023-11-7
	A版
共 2 页	第 1 页