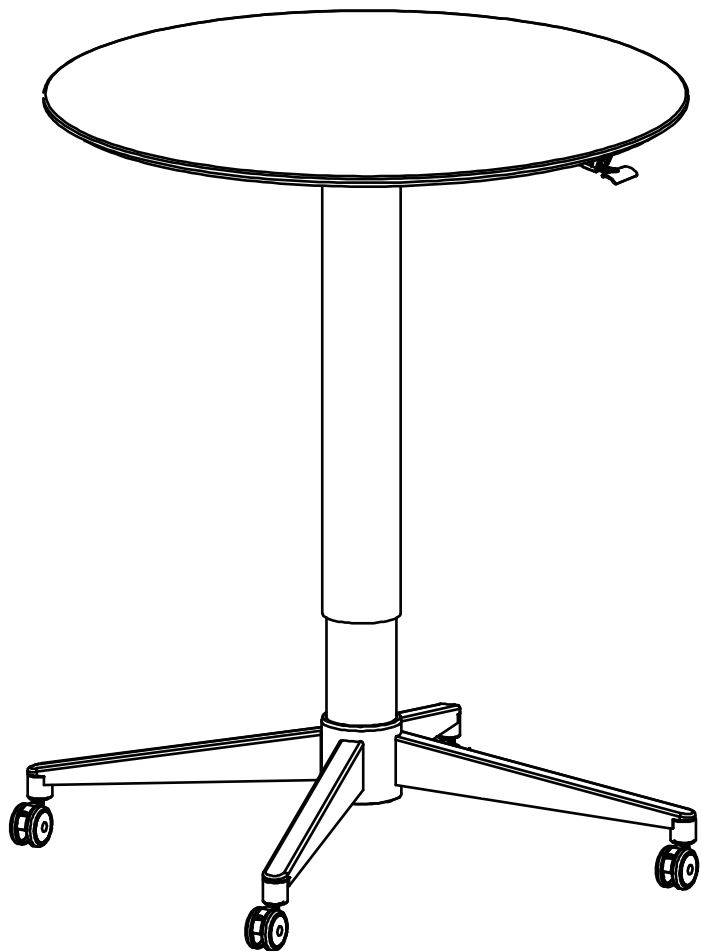
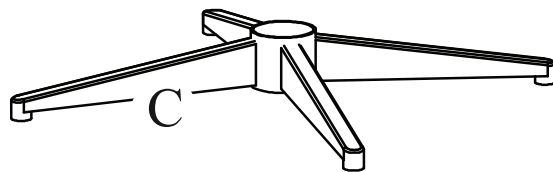
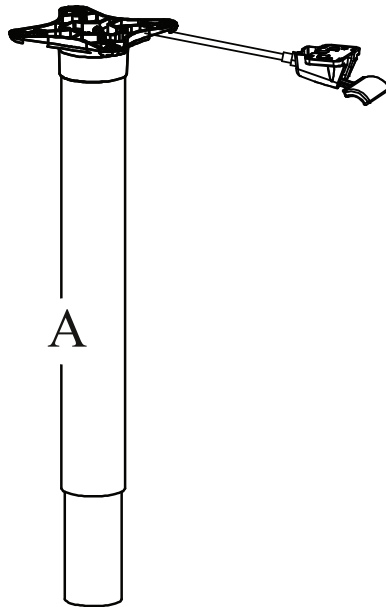
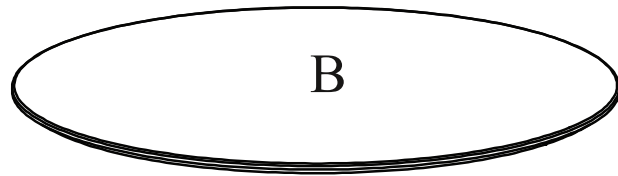











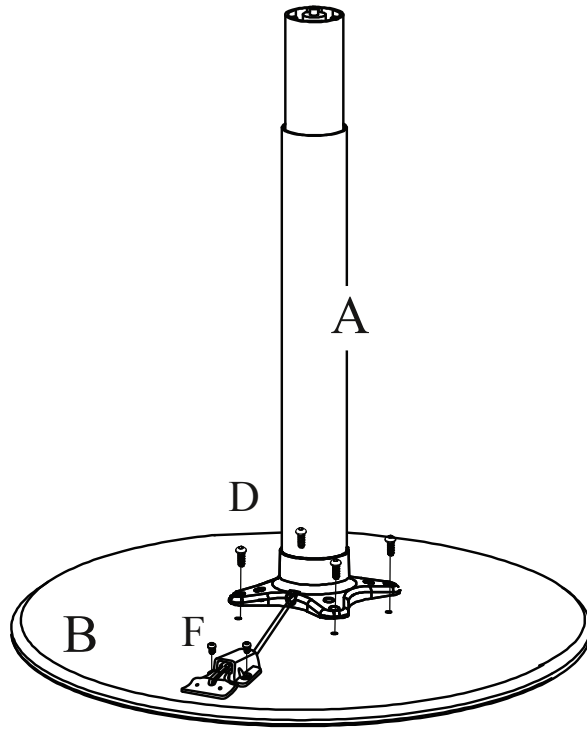
Height Adjustable Mobile Pedestal Base
500PBMXX
Assembly & Operation Manual





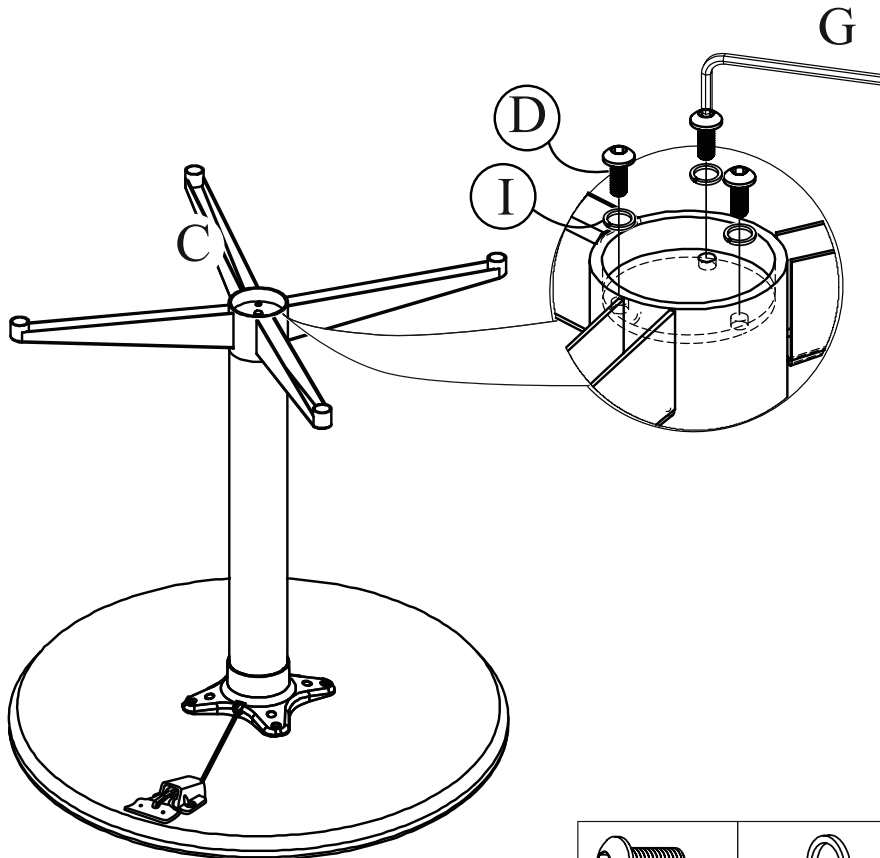
	Dx7	M6x16mm		Fx2	M6x12mm
	Gx1	4MM		Hx1	
	Ix3	M6		Lx2	
	Mx2				




1



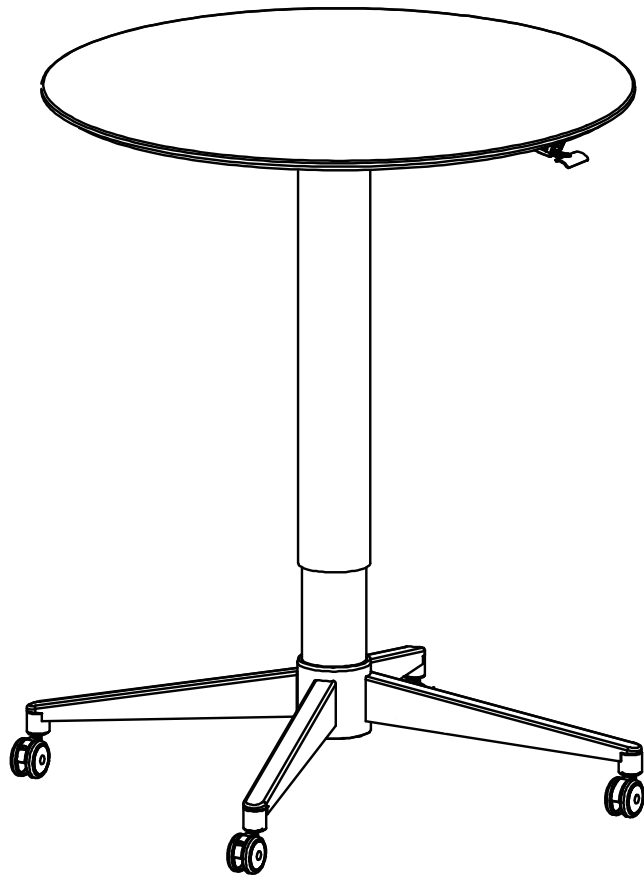
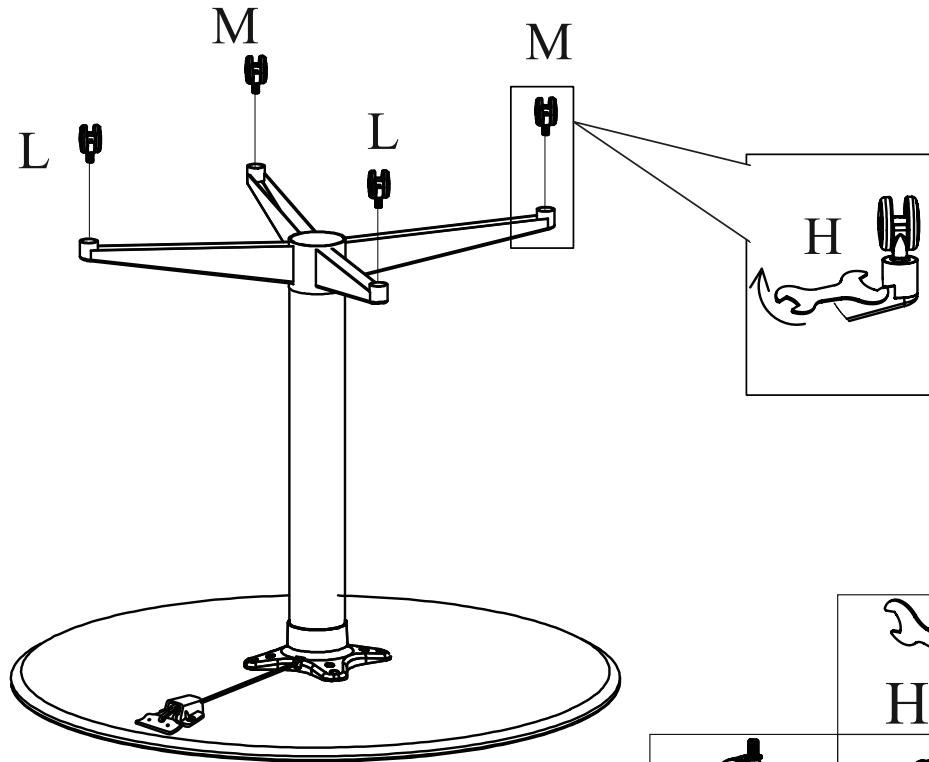
 Dx4	 Fx2	 Gx1
---	--	--

2

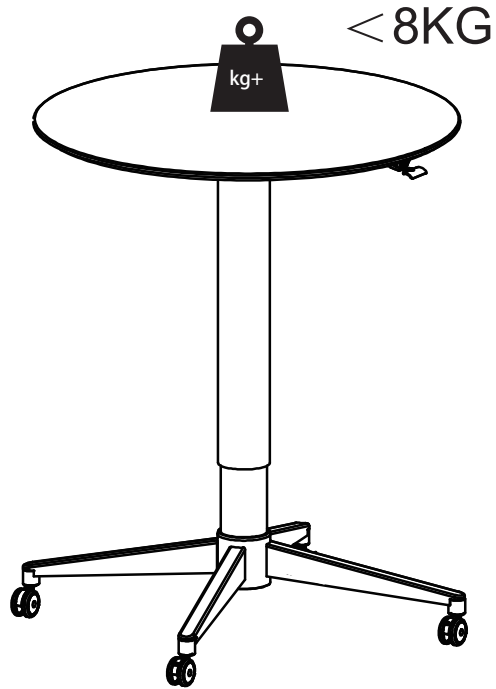


 Dx3	 Ix3	 Gx1
---	--	--

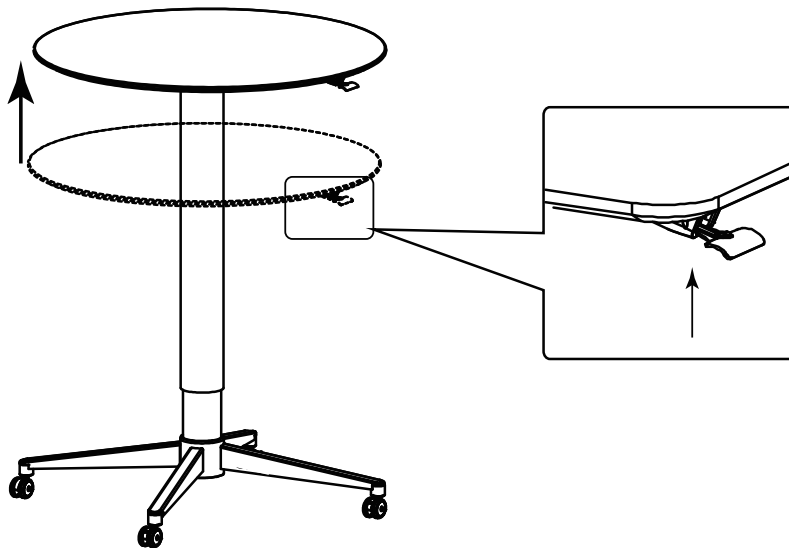
3



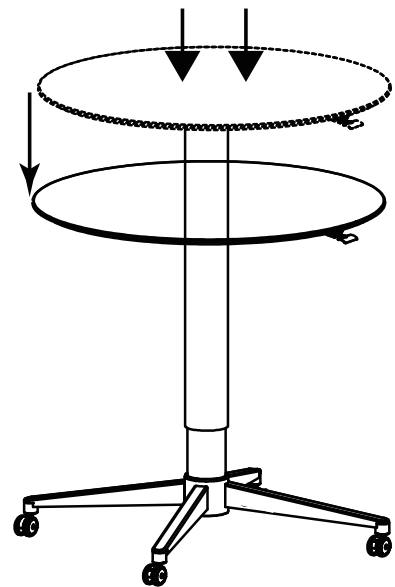
Operating Manual



Attention: it is recommended not to exceed a maximum of 8KG on desk top to allow for easy lifting.



Lift the paddle for lifting the table top.



Lift the paddle and press the table top for downward operation.