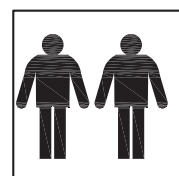
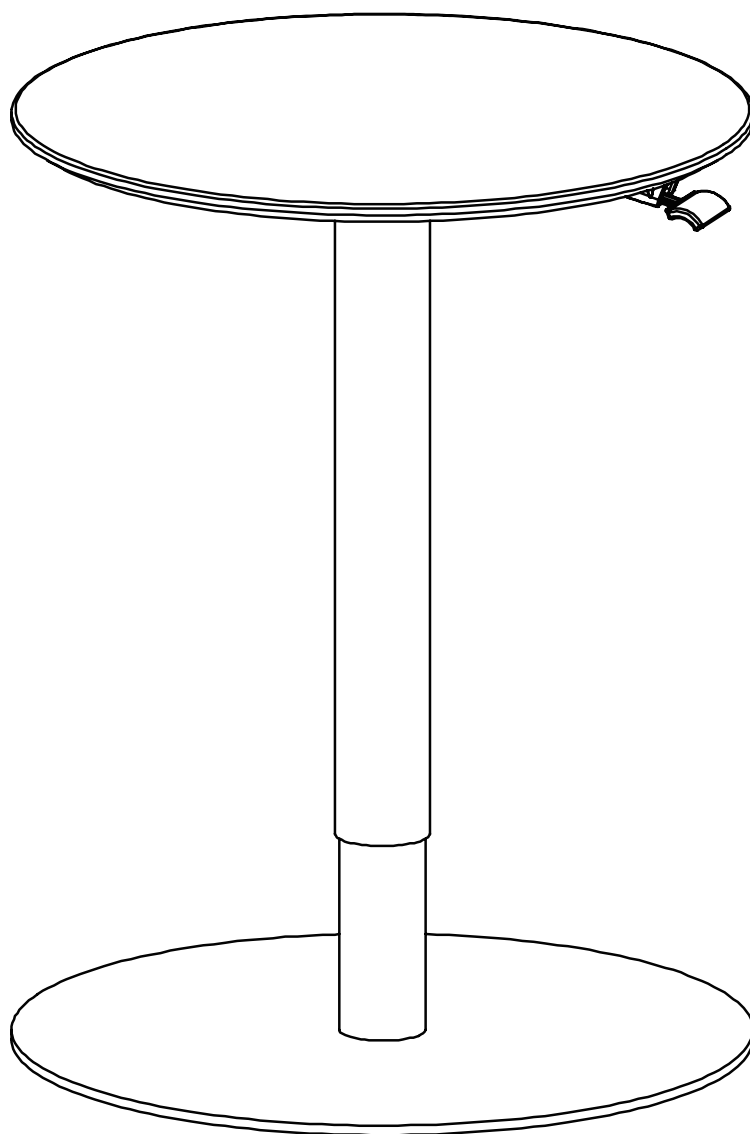
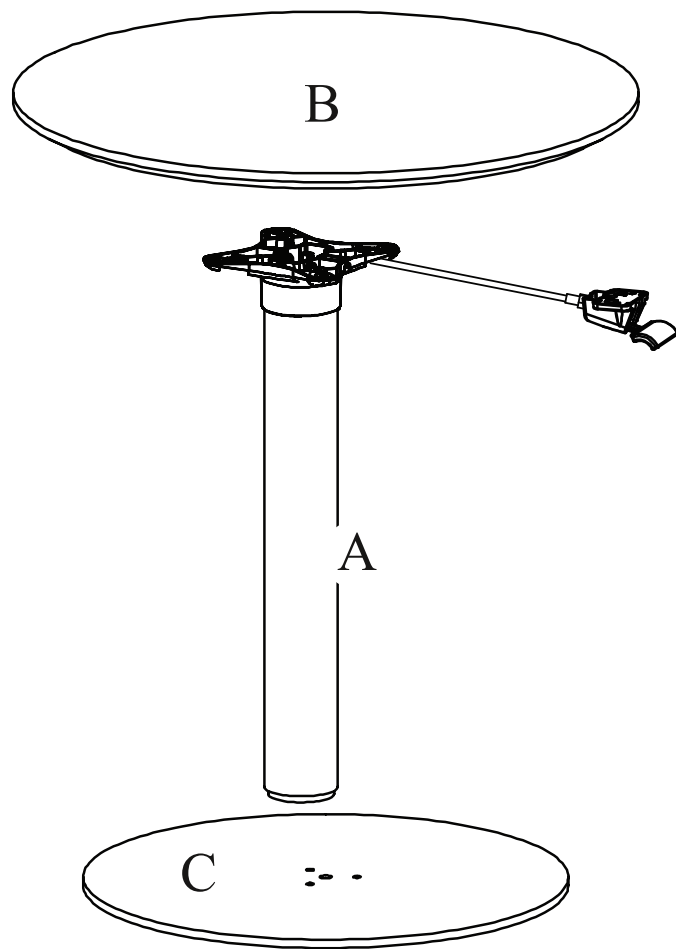
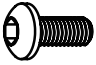







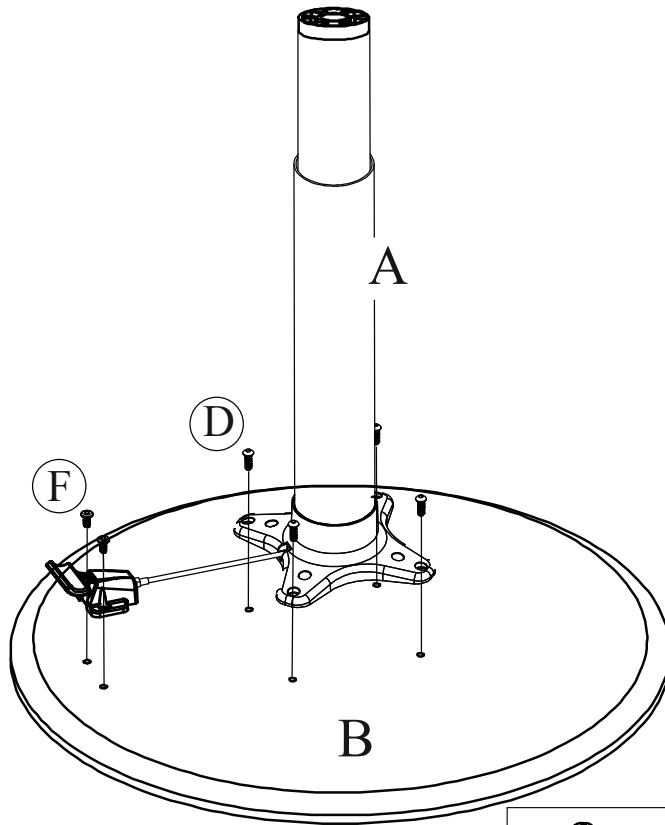
Height Adjustable Fixed Pedestal Base
500PBXX
Assembly & Operation Manual








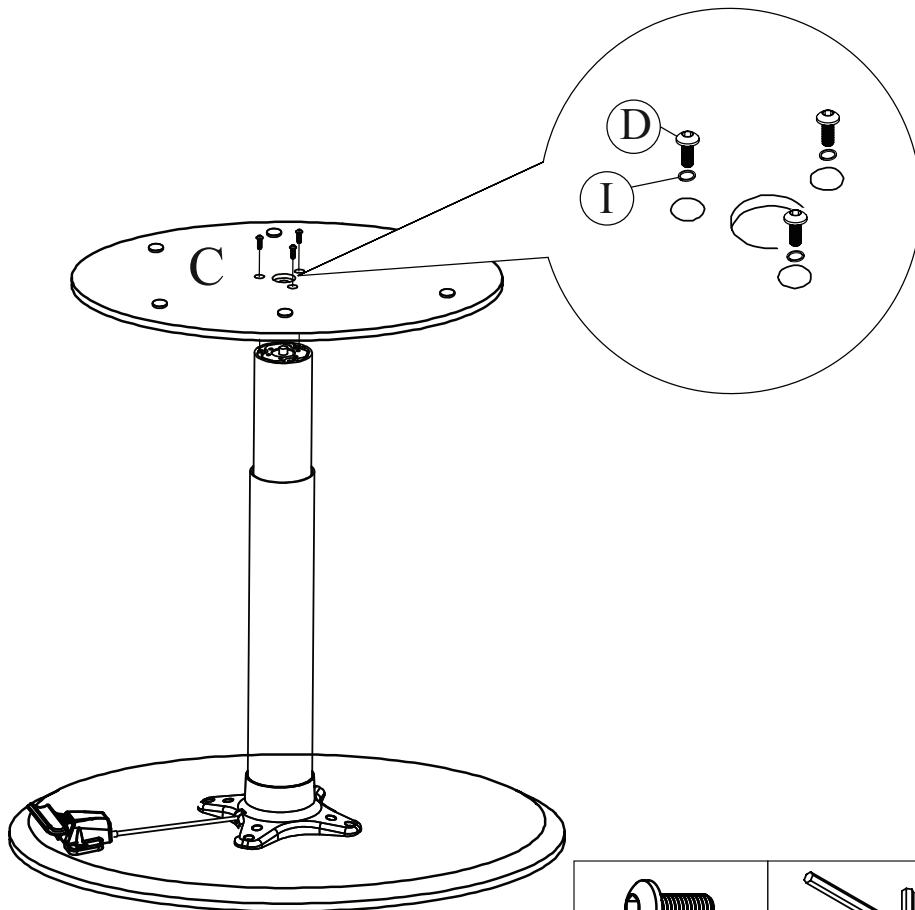
	Dx7	M6x16mm		Fx2	M6x12mm
	Gx1	4MM		I x3	M6

1



		
Dx4	Fx2	Gx1

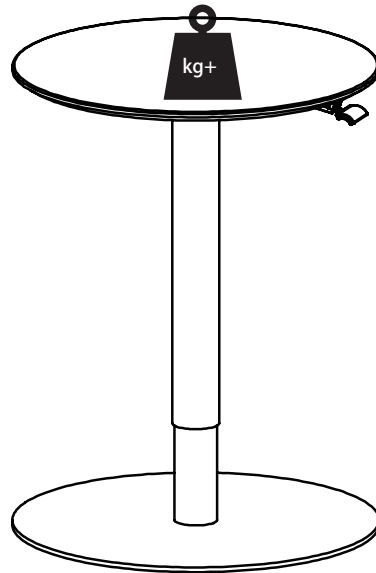
2



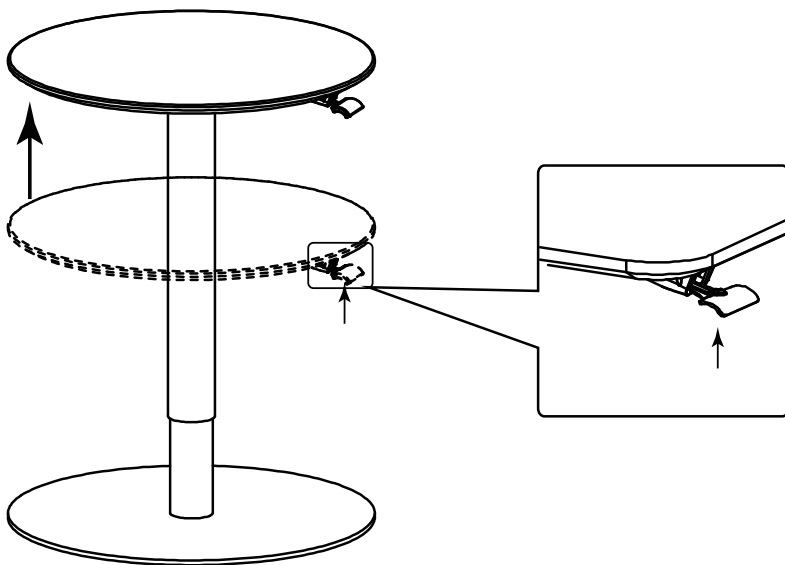
		
Dx3	Gx1	Ix3

Operating Manual

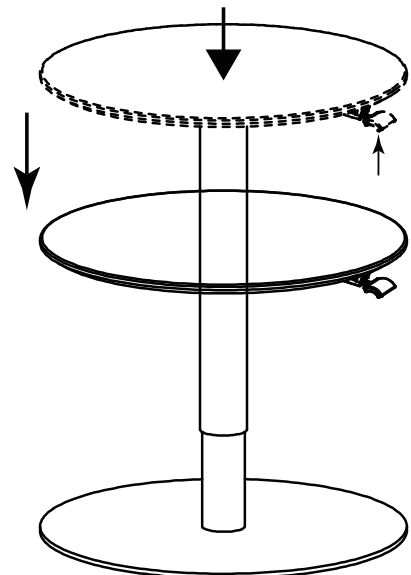
< 8KG



Attention: it is recommended not to exceed a maximum of 8KG on desk top to allow for easy lifting.



Lift the paddle for lifting the table top.



Lift the paddle and press the table top for downward operation.