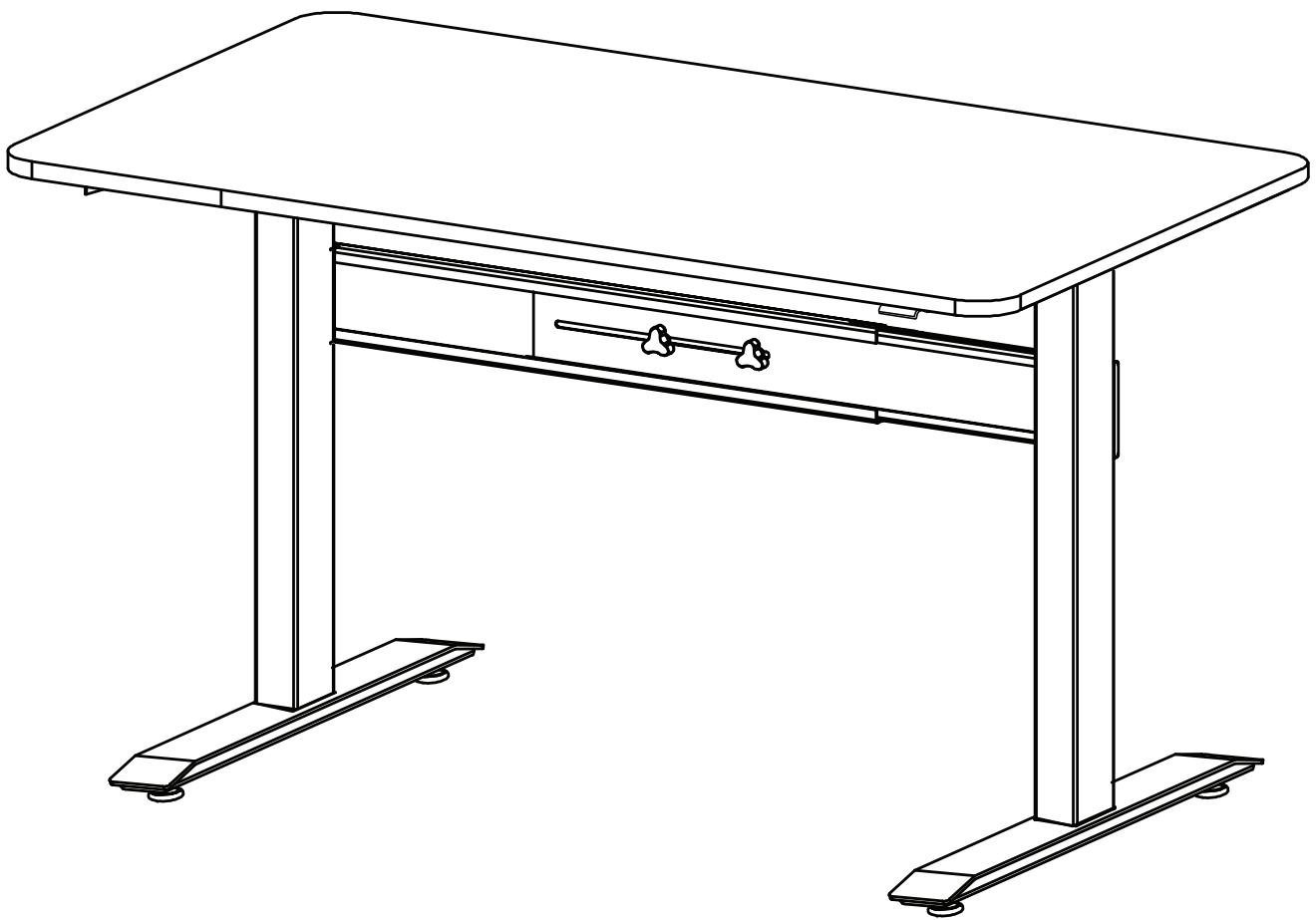


R Richelieu *ERGO*

SUDO Series

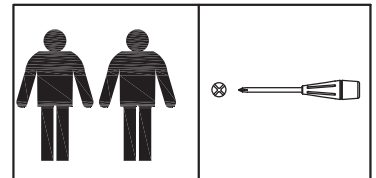
5007885XX

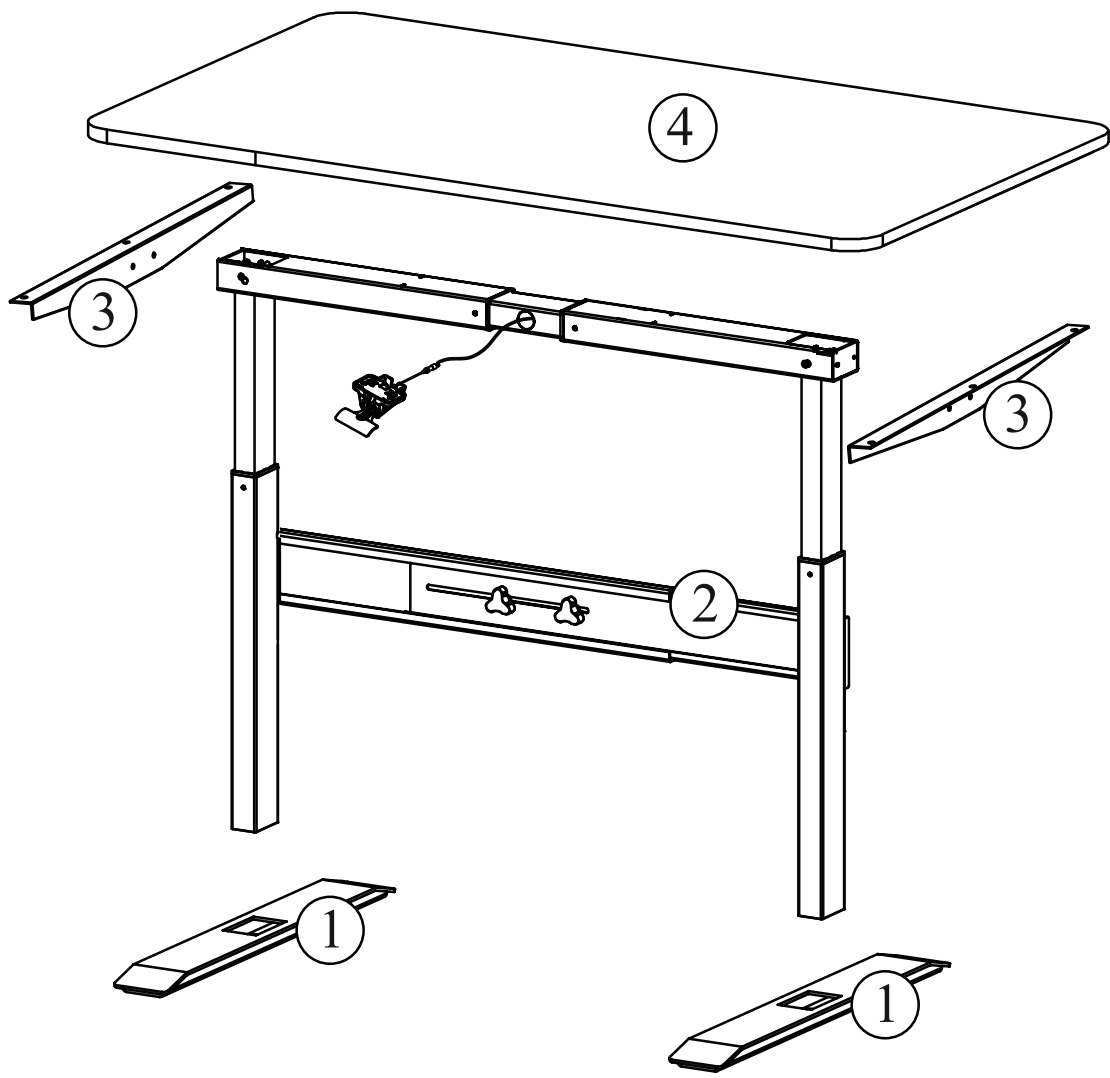
Assembly & Operation Manual





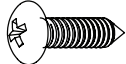


Warning:

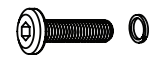
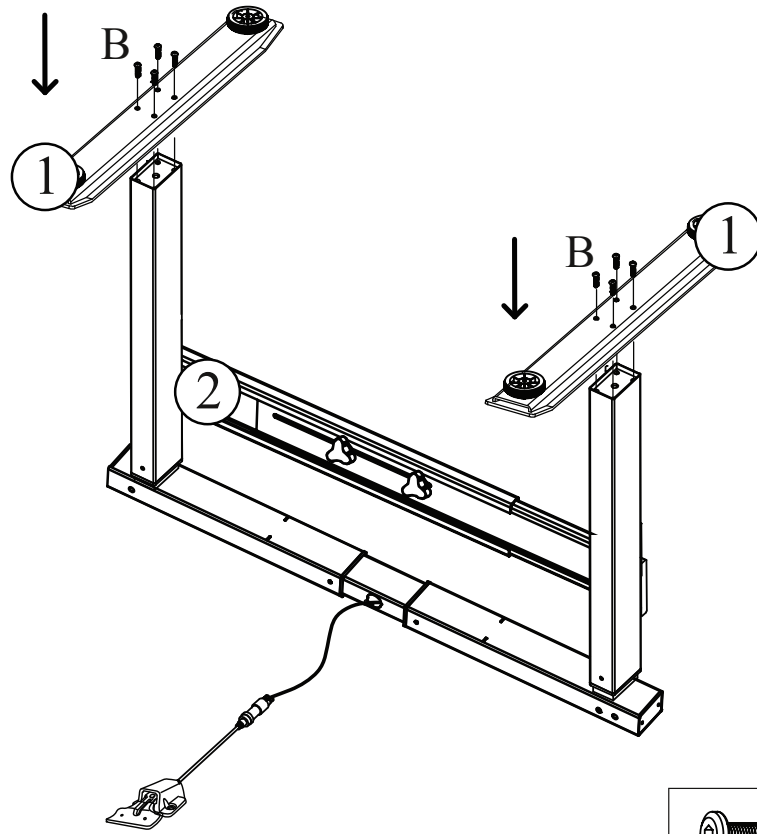
1. The maximum static loading weight is 220lb and the dynamic loading weight is 11~18lb!
2. The desk can not lift up by itself at the first time after placing some times or temperature is too low, you have to give a little pull force by hands to help it lift up!
3. The desk have potential danger of tip-over if don't use it wisely, so children need to be accompanied by adult.



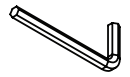


	Ax12	M6x12mm		Bx8	M6x25mm
	Dx1	4MM		Ex3	
	Fx3	M4X13			

1

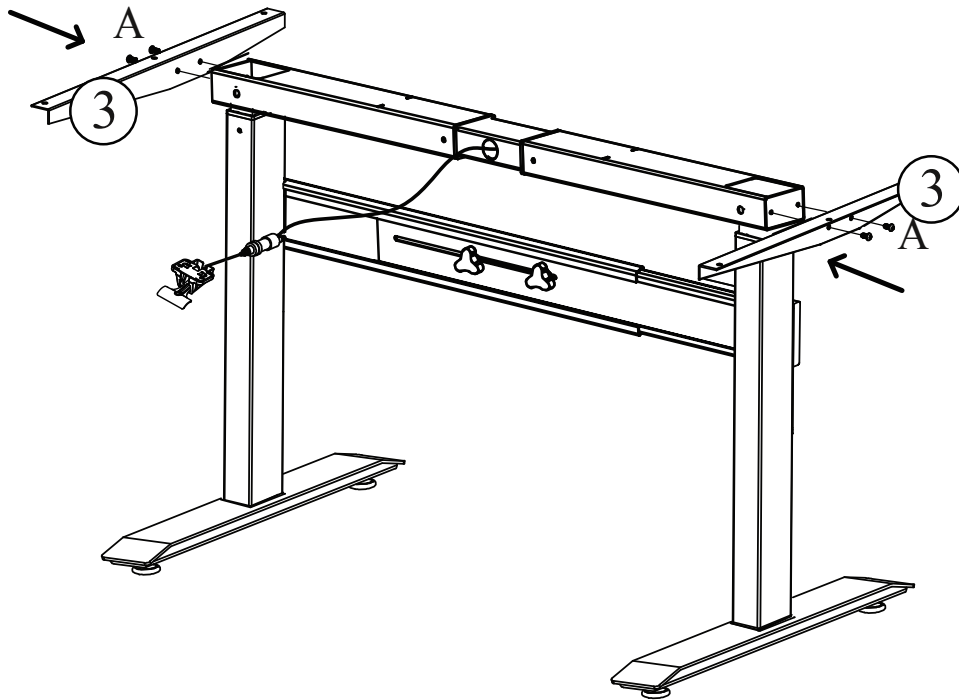


Bx8

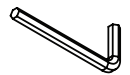


Dx1

2

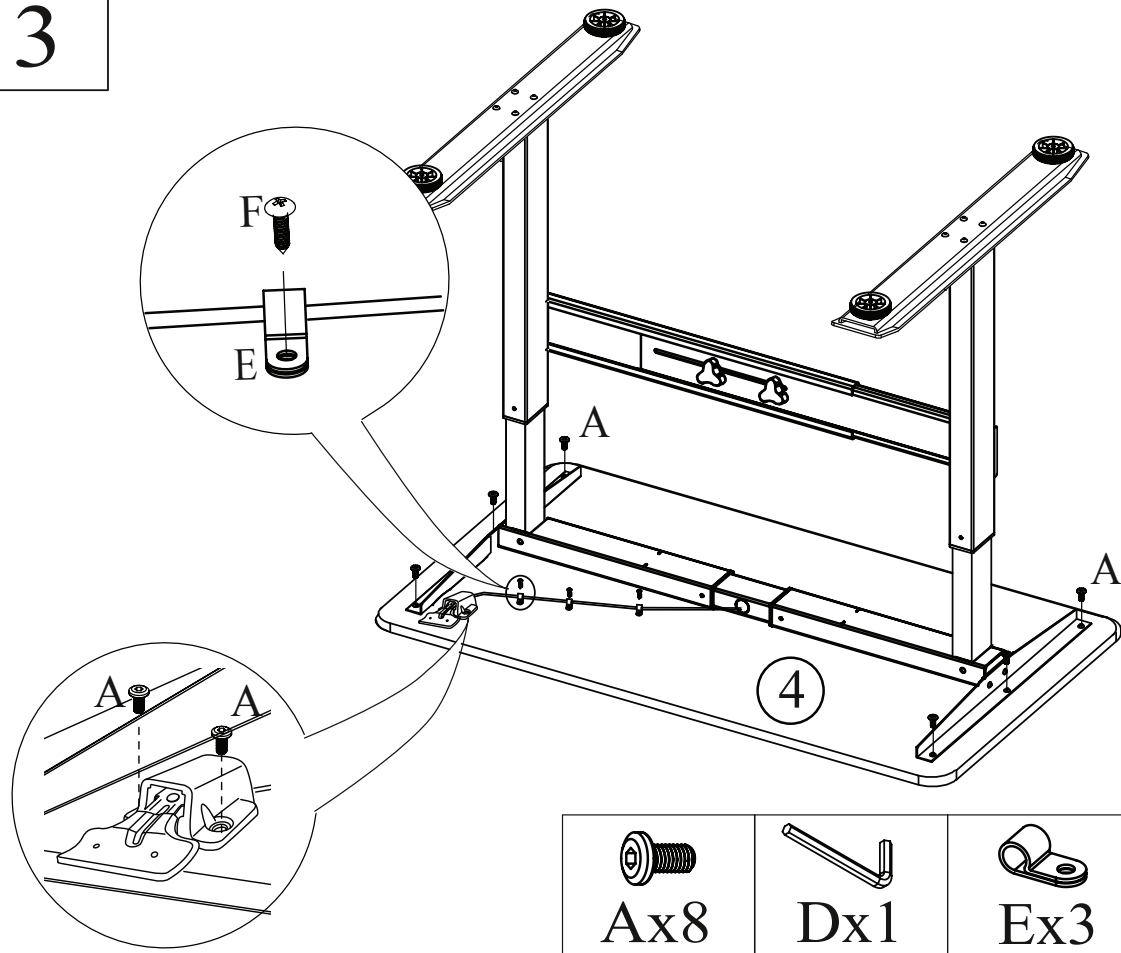


Ax4

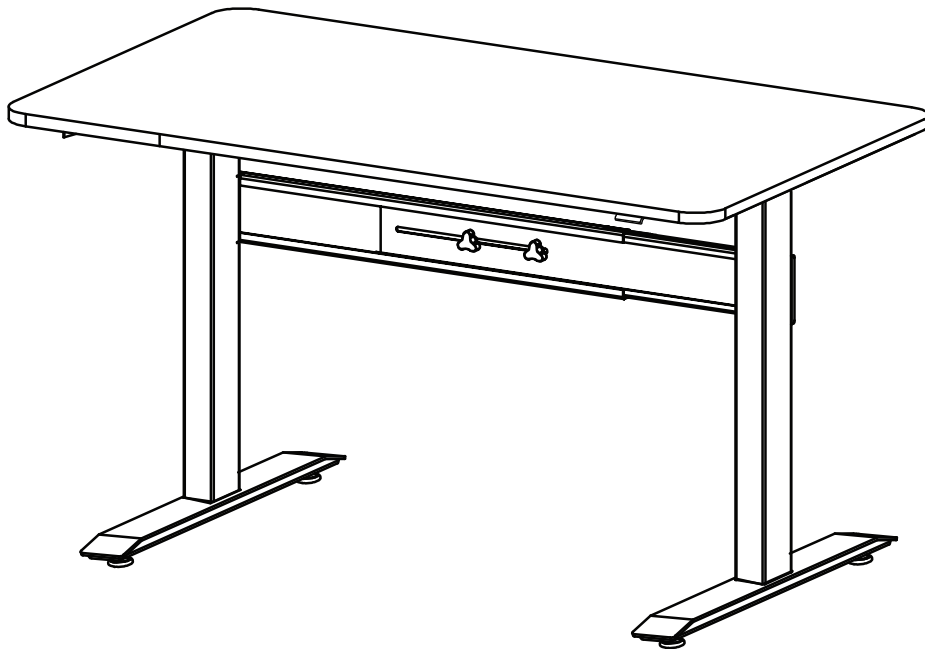


Dx1

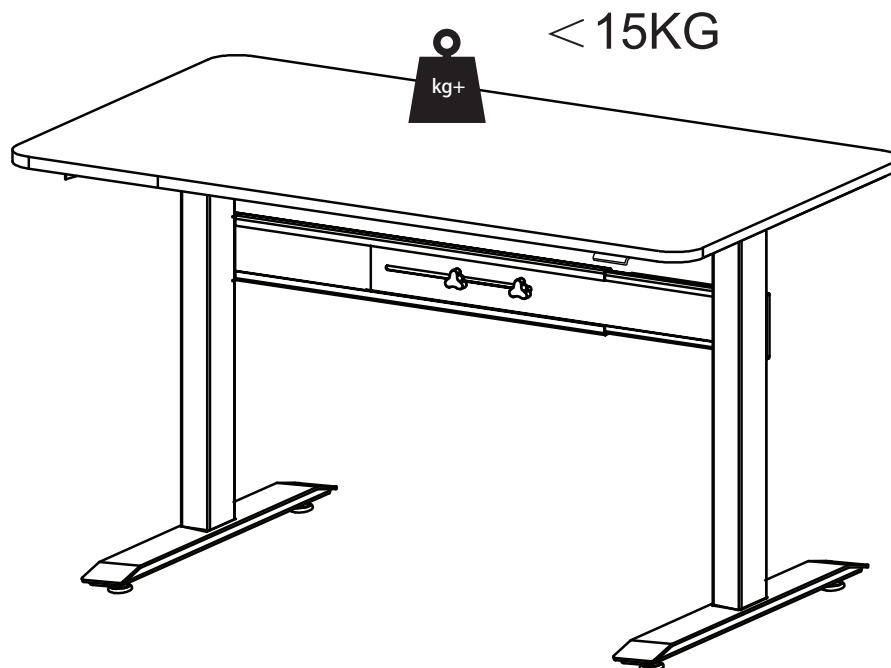
3



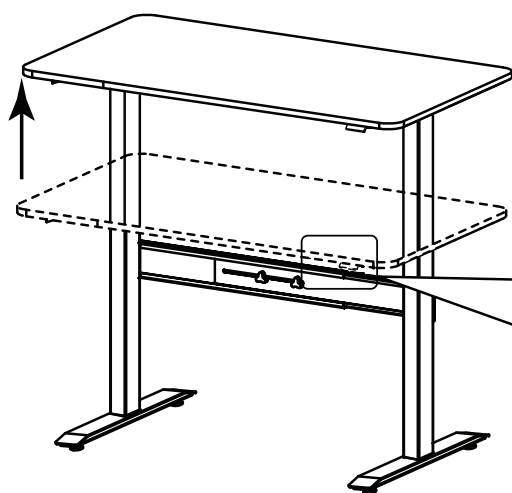
4



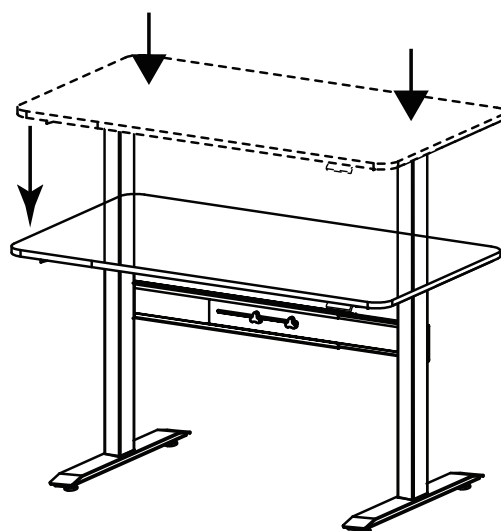
Operating Manual



Attention: it is recommended not to exceed a maximum of 15KG on desk top to allow for easy lifting.



Lift the paddle for lifting the table top.



Lift the paddle and press the table top for downward operation.