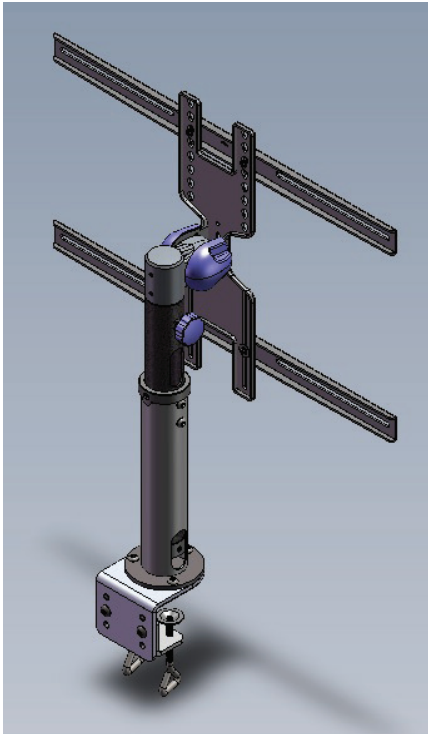




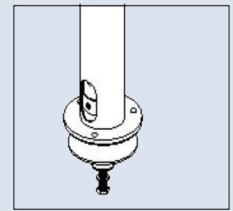
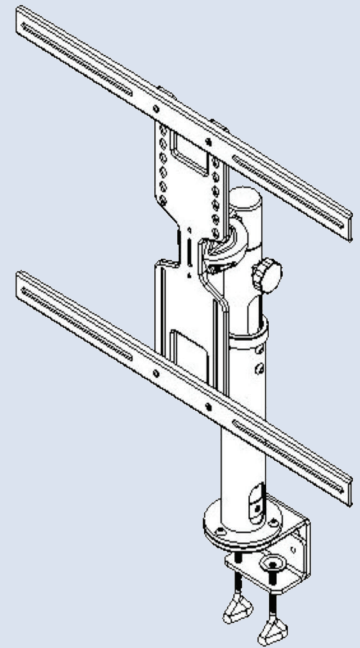
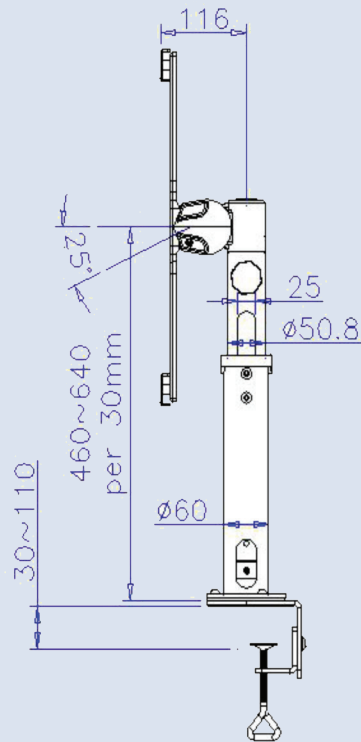
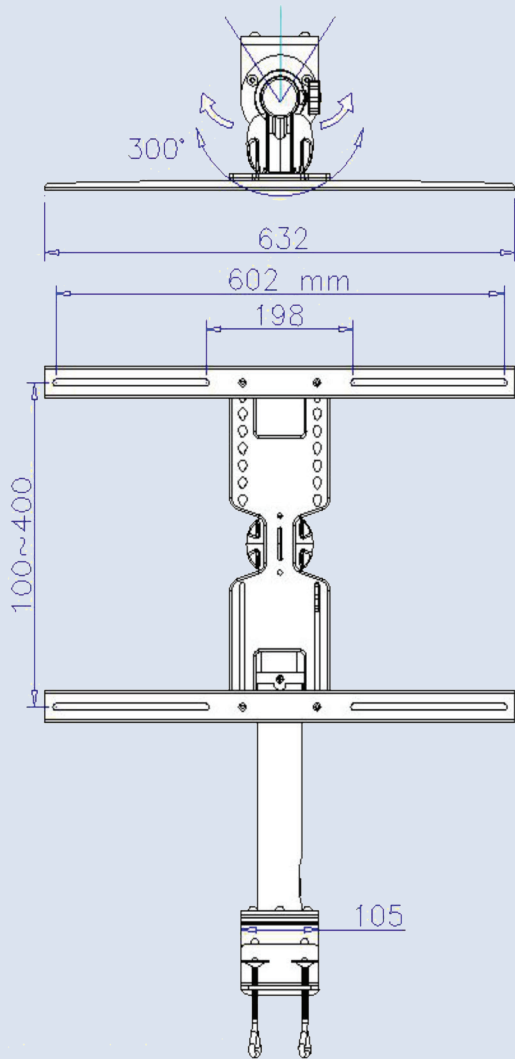
## Table Top TV Mount 500TTTM90



- Weight capacity: Max 40kgs
- Meets with VESA standard (Max 600\*400mm)
- Holds Monitors from 26"-50"
- Cables pass through the tube
- The height of Monitor is adjustable.
- Monitor can be tilted downward up to 15 degrees.
- 270 degrees rotation.
- Clamp and grommet mounting brackets provided.

# Table Top TV Mount

## 500TTTM90



WEIGHT CAPACITY	MAX 40KG
MONITOR RANGE	26" - 50"
TILT	0° - -15°
ROTATION	270°

