



JAX

Keyboard Arm and Combos

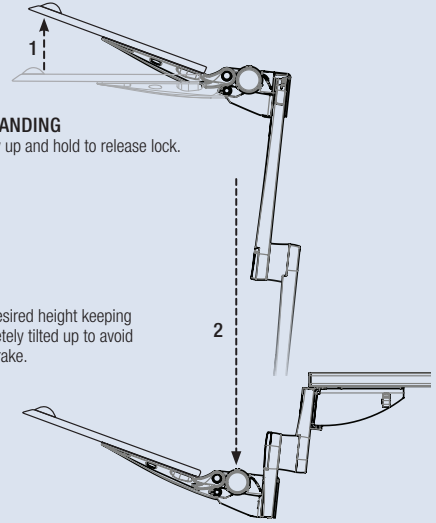
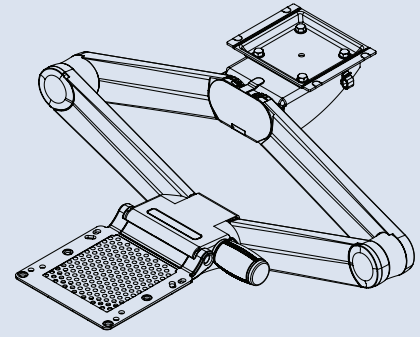
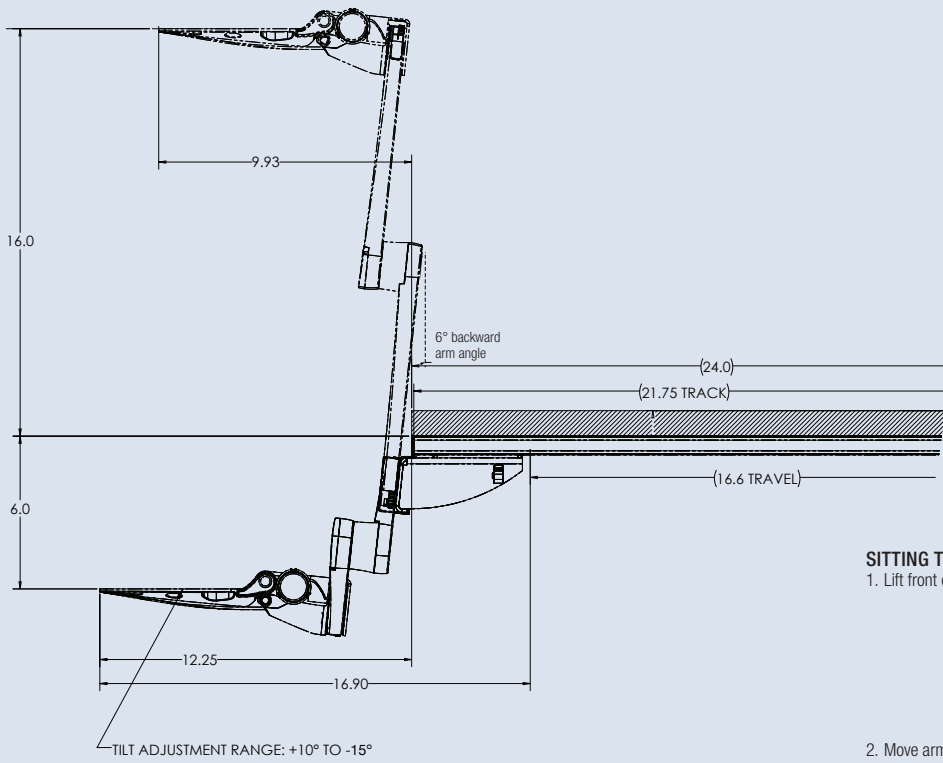
50084792190

The NEW JAX Sit to Stand is the most innovative keyboard arm in the market. It rises above the desk more than any other to allow typing standing up, and is supplied with a 21.75" fully storable track. The lift and lock mechanism allows the height to be set at any position throughout the range. Its low profile arm and tray head provide excellent knee clearance. With a sleek and ingenious design you can go from standing to sitting in seconds and leave a clear and organized desk at the end of the day.



| Features | Benefits |
|---|---|
| A height adjustability range of 22" with 16" above the track and 6" below | The greatest range in the market for a keyboard arm, provides flexibility for the end user and allows for sit to stand capabilities |
| Low profile arm and tray head | Provide maximum leg room and comfort to the end user |
| Clear access to the tilt control knob | Allows an easy and comfortable adjustment |
| +10° to -15° of tilt | Allows end user to type at the most comfortable and ergonomically correct angle |
| Tilt indicator incorporated in an intelligently designed gauge | Provides visual aid while adjusting for a personal fit |
| Integrated cable management | Keeps cables organized and out of the way |
| Concealed hardware and Lift-n-Lock™ braking mechanism | Allow for less obstructions below the desk |
| 6° Backward arm angle | Keeps the user close to work surface instead of invading the aisle |
| Leather feel knob | Maximum confort and styling |
| Designed for disassembly & fully recyclable | Environmentally friendly product |

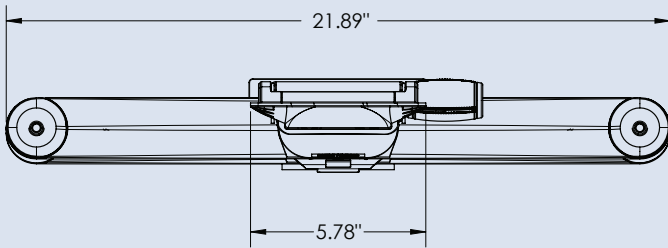




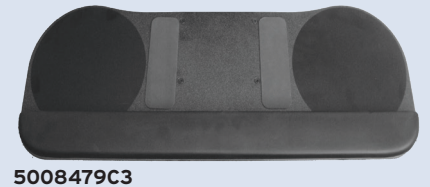
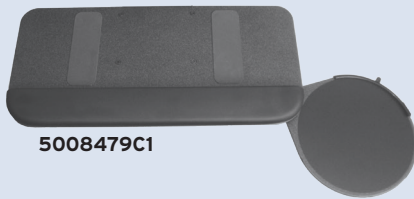
SITTING TO STANDING

1. Lift front of tray up and hold to release lock.
2. Move arm to desired height keeping the tray completely tilted up to avoid dragging the brake.

MAXIMUM ELBOW TO ELBOW WIDTH



Combo Trays



| Model | Height Range | Tilt | Length | Finish | Weight |
|--------------|--------------|-------------|--------|--------|---------|
| 50084792190 | -6" / +16" | +10° / -15° | 21.89" | Black | 8.2 lbs |
| Combo | | | | | |
| 5008479C1 | 504204100 | | | | |
| 5008479C2 | 504205100 | | | | |
| 5008479C3 | 5004227100 | | | | |



1-866-440-0448

ergoinfo@richelieu.com

www.richelieuergo.com