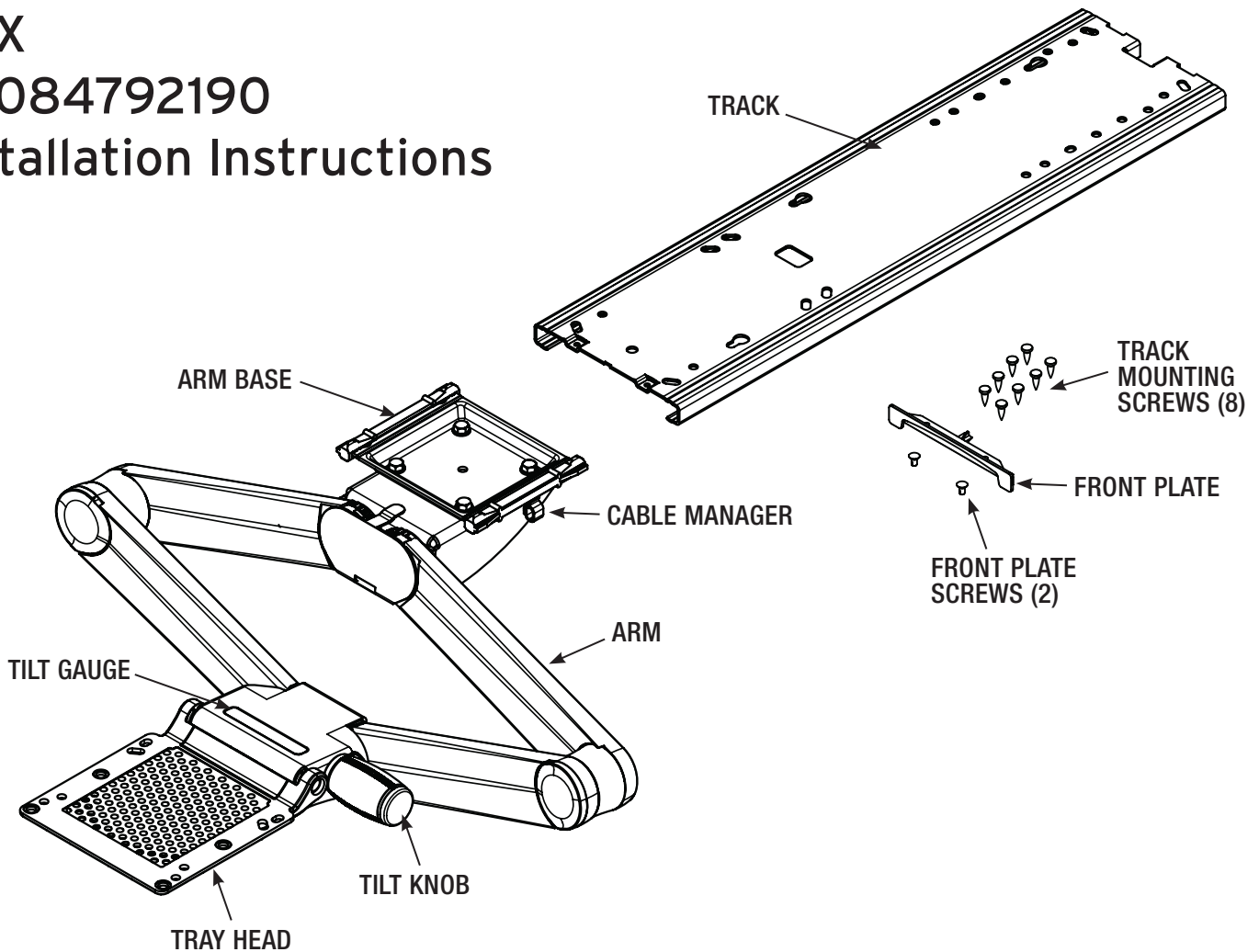


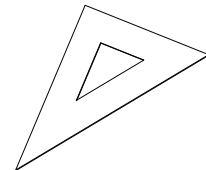
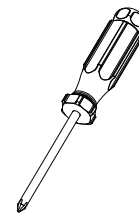
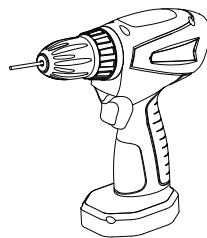
# Richelieu ERGO

## JAX 50084792190 Installation Instructions



### TOOLS REQUIRED

Adhesive tape  
Drill with 1/8" bit  
#2 Phillips screwdriver  
Square



### WARNINGS/DISCLAIMERS

#### INSTALLATION WARNINGS:

- Read the entire instruction manual before beginning any installation or assembly.
- Improper installation of this product may cause property damage or personal injury, either during or after installation.

#### DISCLAIMER:

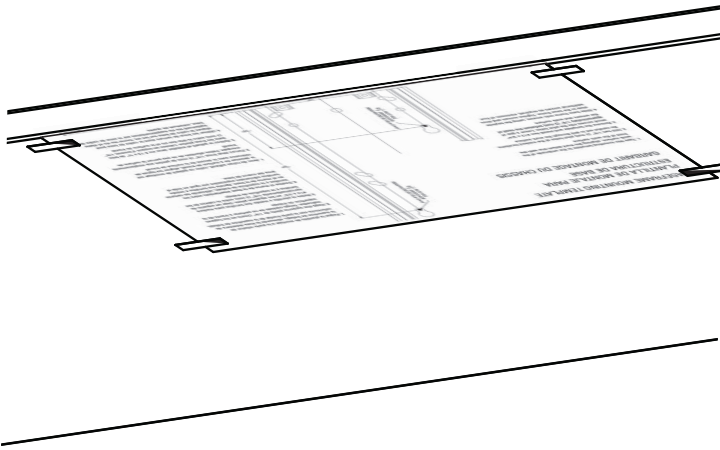
- The manufacturer will bear no responsibility for any damages of any kind arising from improper installation of this product.
- Work surfaces will vary widely and the ultimate method of installing is out of the manufacturer's control. It is imperative that the installer consult the work surface installation guide to ensure that it can safely handle the applied load.

#### ADJUSTMENT NOTIFICATION:

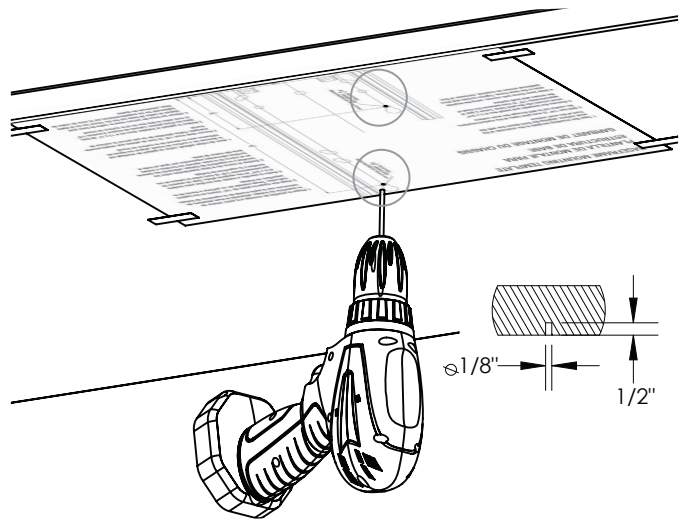
- Routine maintenance checks and adjustments are suggested to properly support the quality and optimal performance of this product.
- Over tightening of bolts during installation or adjustments can damage the product and affect the function and warranty.

# INSTALLING THE TRACK

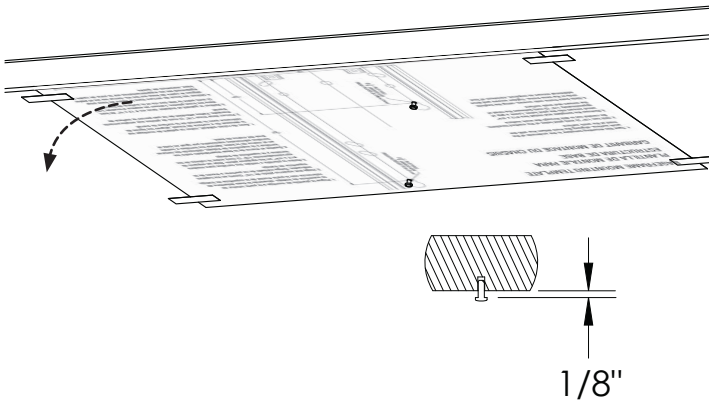
A. Tape template to underside of working surface following the instructions on the template.



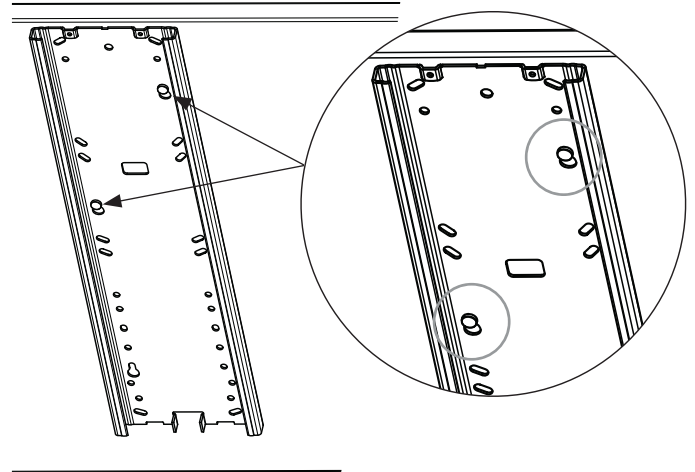
B. Drill 2 pilot holes 1/8" diameter and 1/2" deep at marked locations. Be careful not to drill through the work surface.



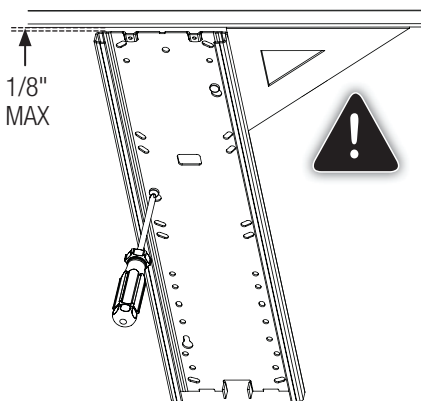
C. Drive in 2 screws, leaving a 1/8" gap to the surface. Remove mounting template.



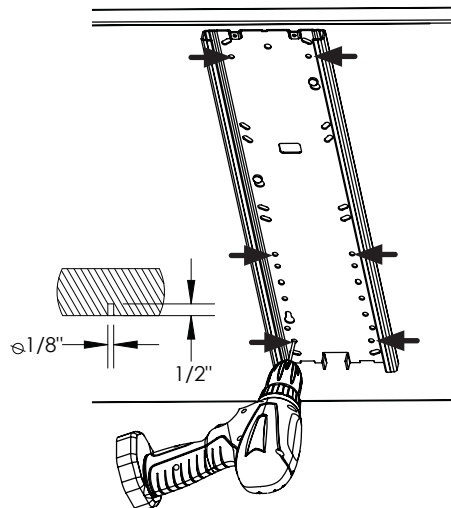
D. Hang track from the 2 screws using keyholes.



E. **IMPORTANT:** Ensure track is square with front edge of work surface and tighten screws.

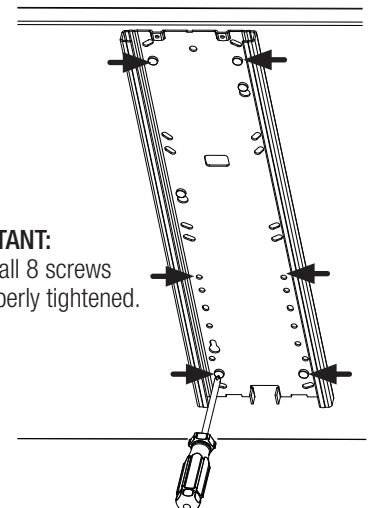


F. Where shown, drill 6 more pilot holes 1/8" diameter and 1/2" deep.



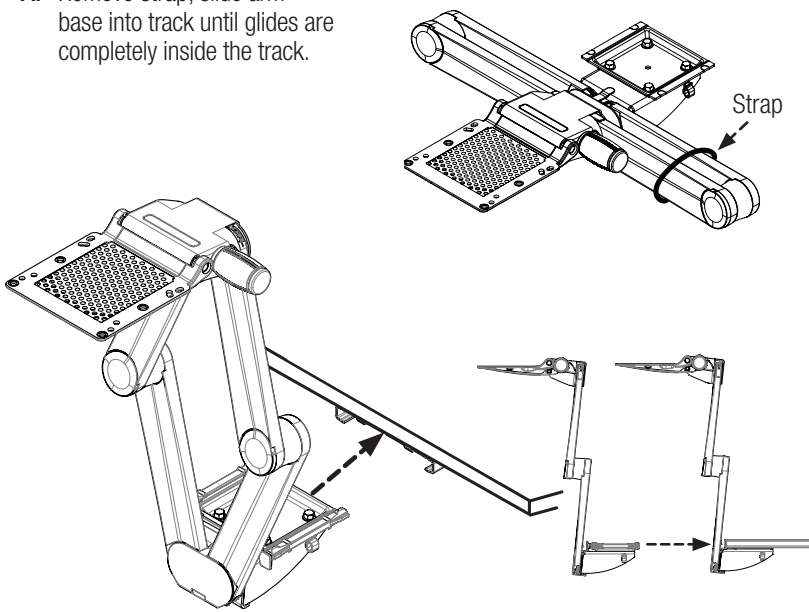
G. Drive 6 screws into the pilot holes.

**IMPORTANT:** Ensure all 8 screws are properly tightened.

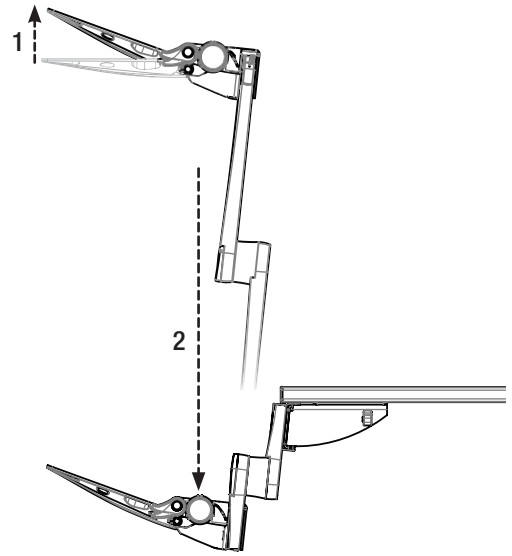


# MOUNTING THE ARM

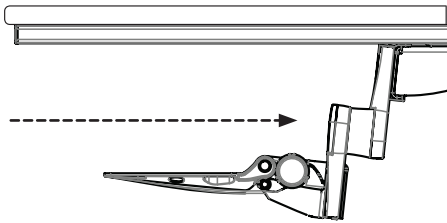
A. Remove strap, slide arm base into track until glides are completely inside the track.



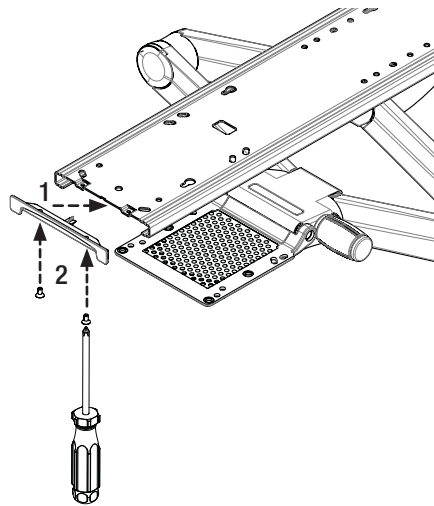
B. Lift front of tray head and hold, push arm down, then release.



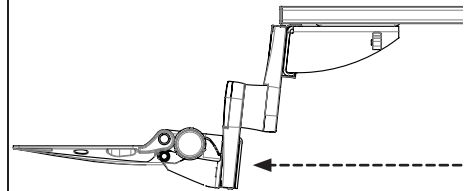
C. Push the arm to the back of the track.



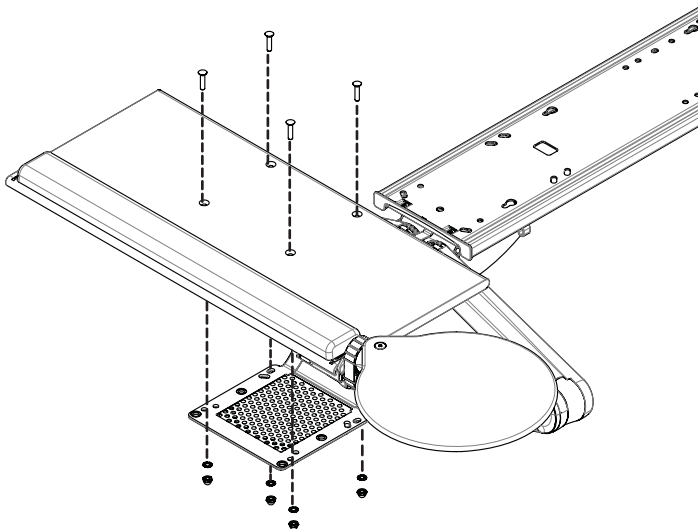
D. Install front plate.



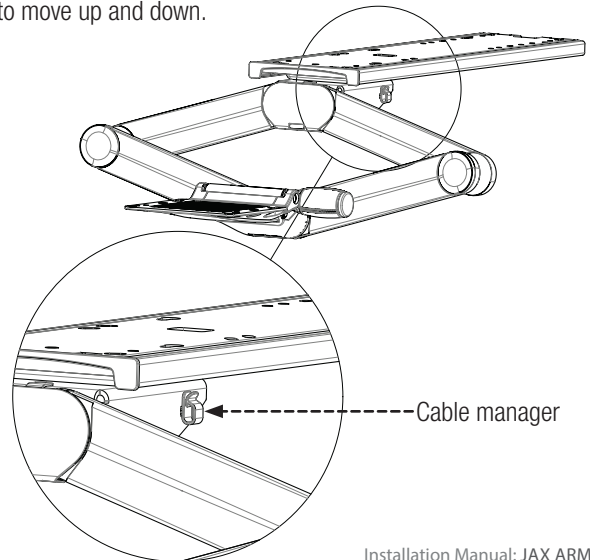
E. Pull out arm



F. Mount the tray to the tray head.



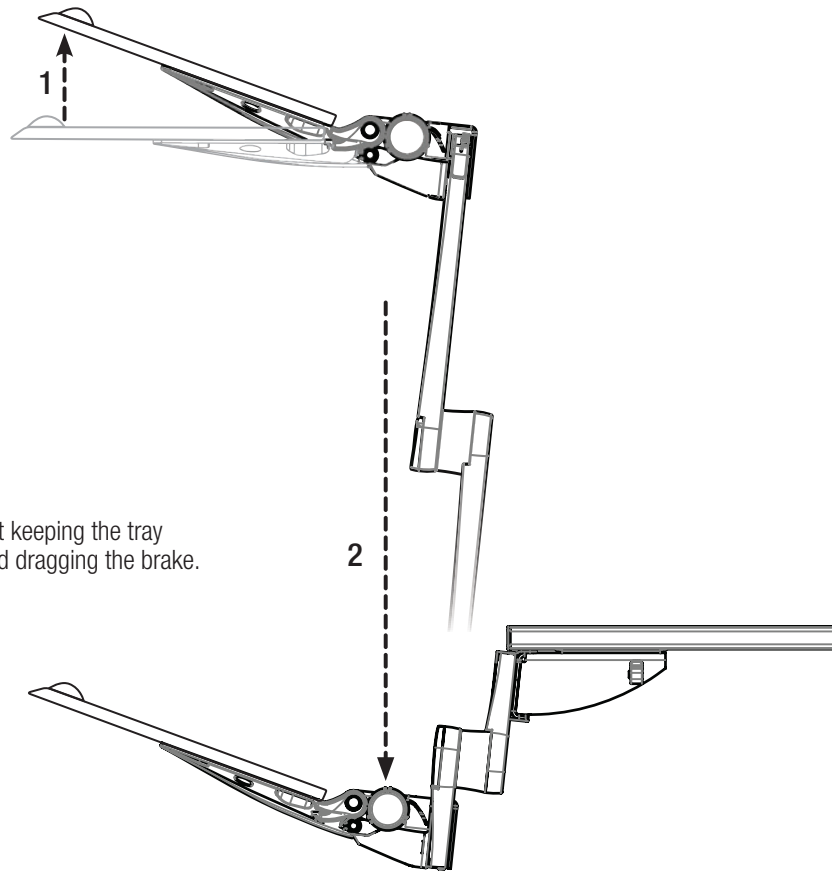
G. After installing technology, route cables through cable manager leaving proper slack for the arm to move up and down.



# USING THE ARM

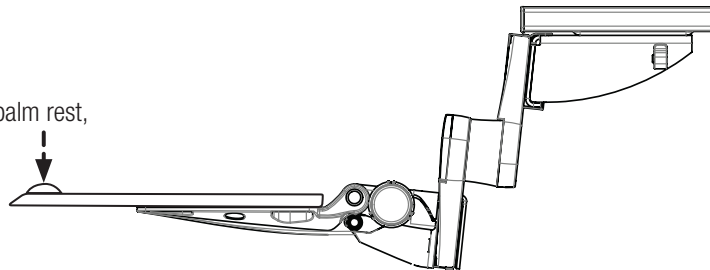
## SITTING TO STANDING

1. Lift front of tray up and hold to release lock.



2. Move arm to desired height keeping the tray completely tilted up to avoid dragging the brake.

3. Release tray and push down on palm rest, arm will hold position.



---

## TILTING THE TRAY

1. Rotate knob clockwise for negative tilt
2. Rotate knob counterclockwise for positive tilt

