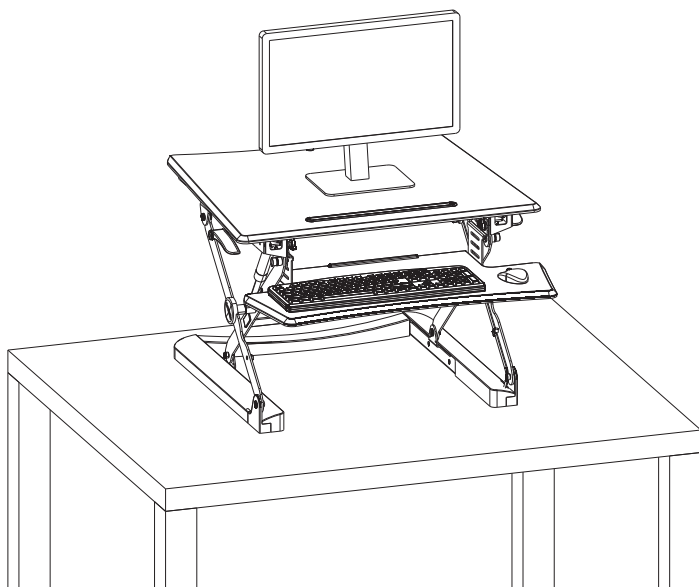




INSTALLATION GUIDE

THE TOPPER III SIT-STAND DESKTOP WORKSTATION 500S2S90



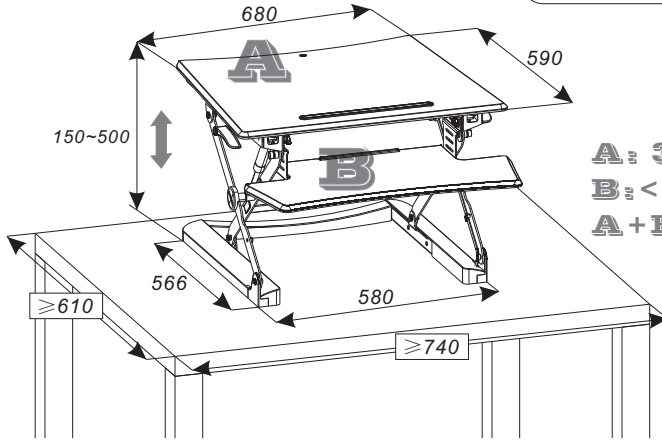
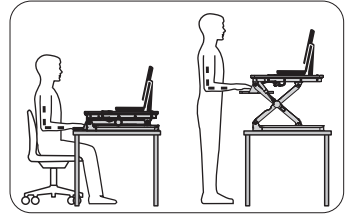
CAUTION

Please read all instructions carefully before using this product.
Retain this manual for future reference.
The specifications of this product may vary slightly from the
illustrations and are subject to change without notice.

Technical Data



Please do not exceed the maximum bearing weight



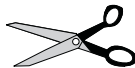
A: 3~15kg
B: <=2kg
A+B=3~15kg

Accessory Package List

Note: The drawings below are only for reference and may be slightly different with the actual product. If any tools are missing or installation problems, please contact customer service.

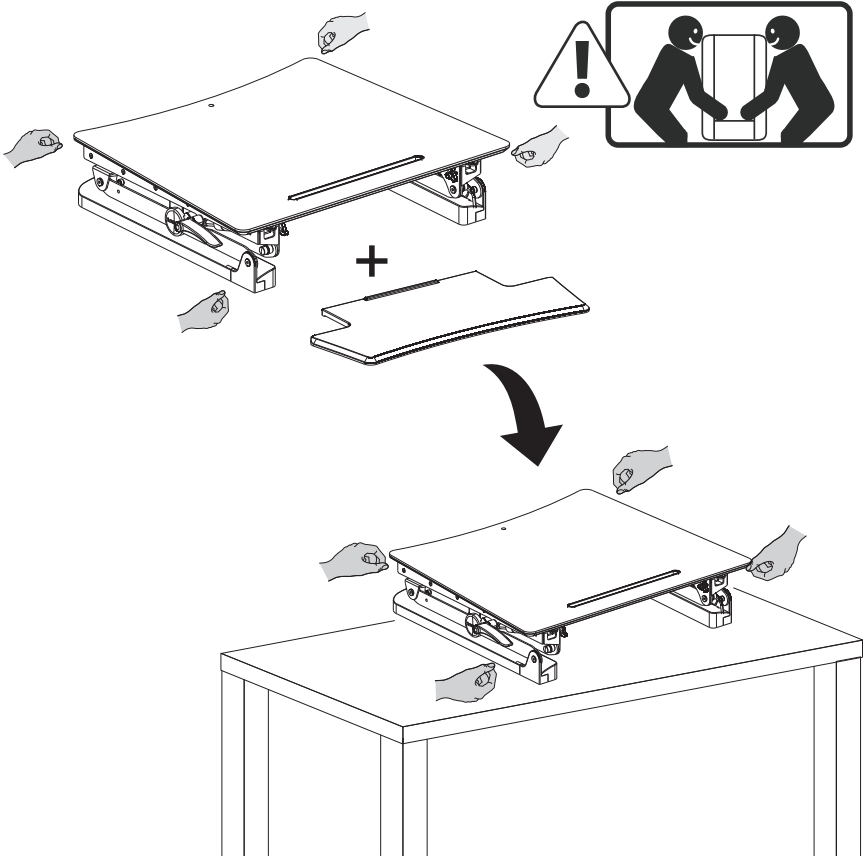
	A	B	C				
	 x1	 x1	 x1	 x1	 x2	 x8	 x4

TOOLS



ASSEMBLY STEP 1

Please take the packaging carton apart, take out the product and place it on the table.

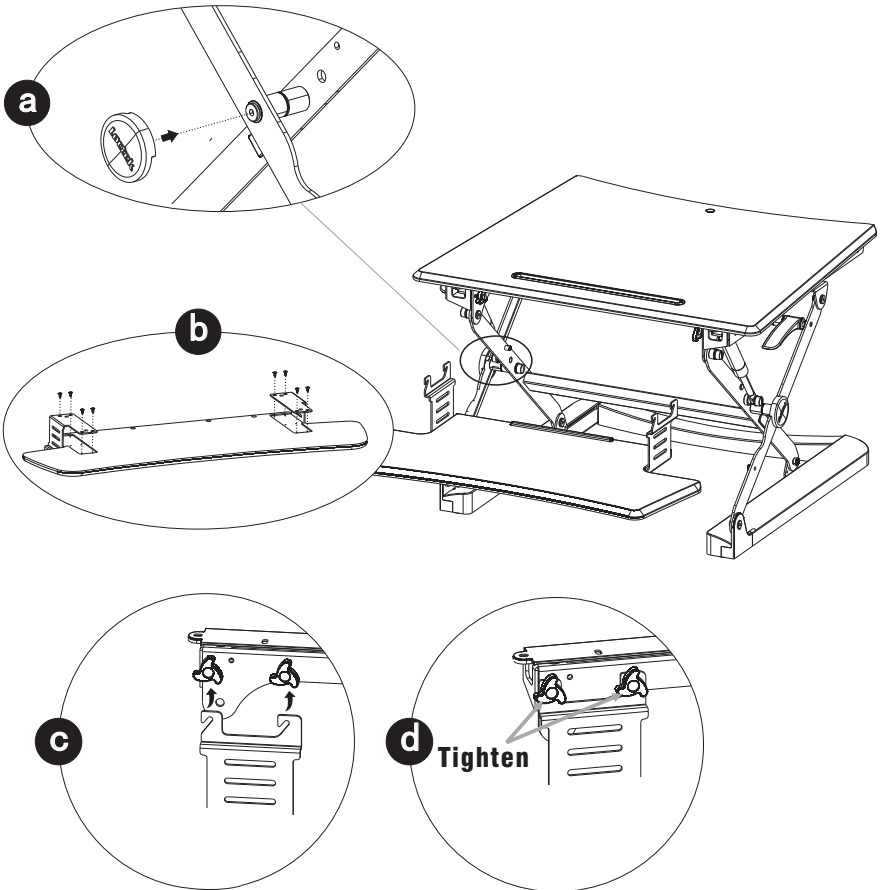


CAUTION

Please place the product properly, or it may cause injury or damage.

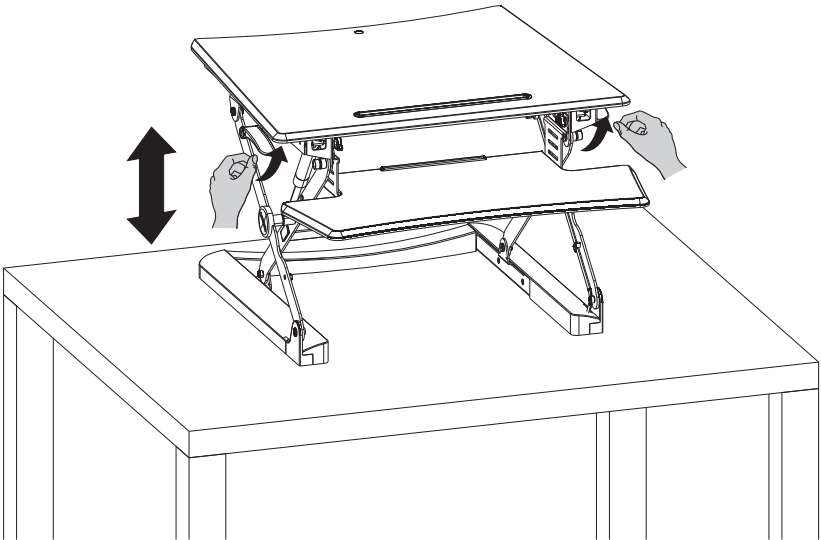
ASSEMBLY STEP 2

- a:** Attach the decorative cover to the connecting arm.
- b:** Connect the junction plate and keyboard tray by 8 screws and use screwdriver to fasten.
- c,d:** Hang the junction plate on the knob assembly and tighten.



ASSEMBLY STEP 3

Based on requirement, press the handle grips both sides simultaneously, and adjust the workstation to the proper height.

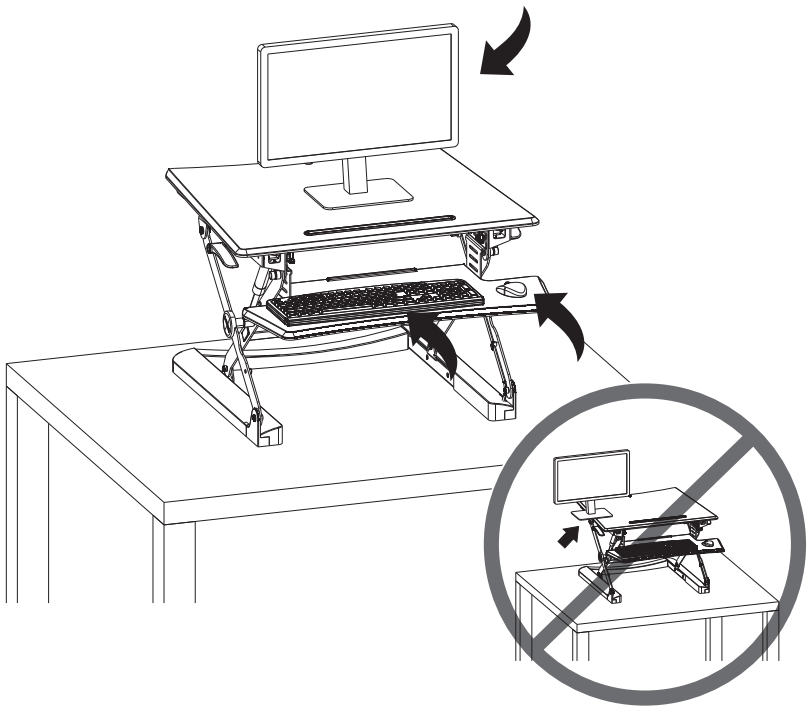


! WARNING

Please do not put hands near the supporting bars, as they change during adjustment and may cause injury.

ASSEMBLY STEP 4

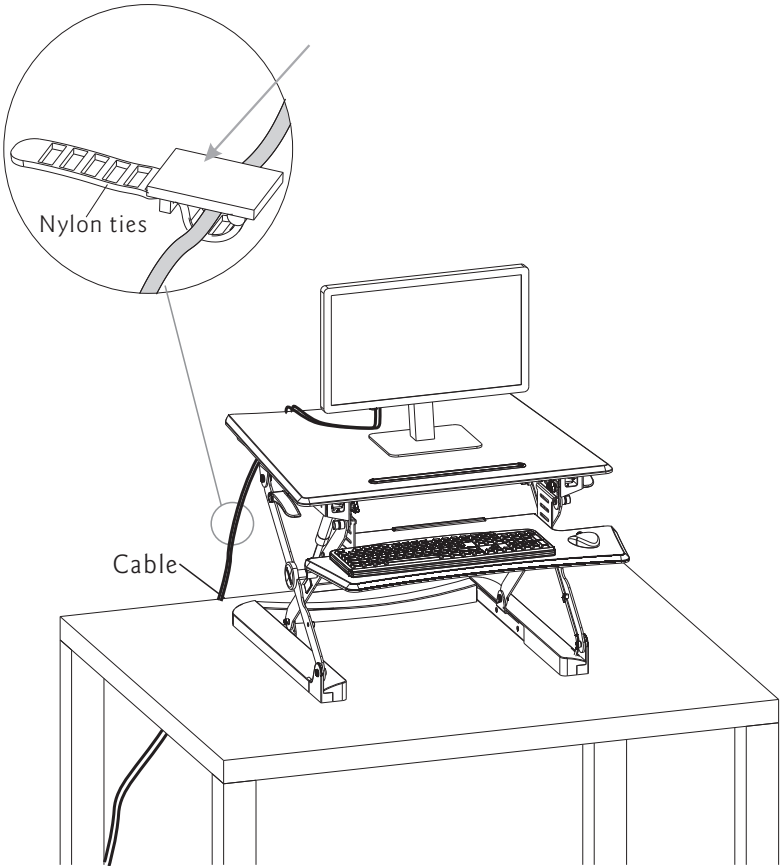
Please put the devices onto the top of the workstation.



CAUTION

Please ensure all equipment is on the table, and not extending out over the edge, or it may cause injury or damage.

ASSEMBLY STEP 5



! CAUTION

Adhesive buckle helps to keep the cables tidy and clean Please leave enough cable length for height adjustment function.

WARNING



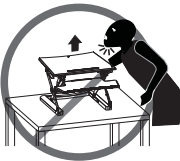
! Please do not put hands near the supporting bars, as they change during adjusting and may cause injury.



! Please make sure all installed equipment does not extend over of the edge, or it may cause injury or damage.



! Adhesive buckle helps to assist in cable management. Please leave enough length of cable for height adjustment function.



! Please first adjust it to the highest, then remove equipment to avoid harm or damage.



! **CAUTION**

Please move unit with two people, or damage may occur.