



# Compadre Keyboard Arms

## 500842XX

Your height adjustable table just found a new best friend!

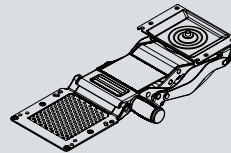
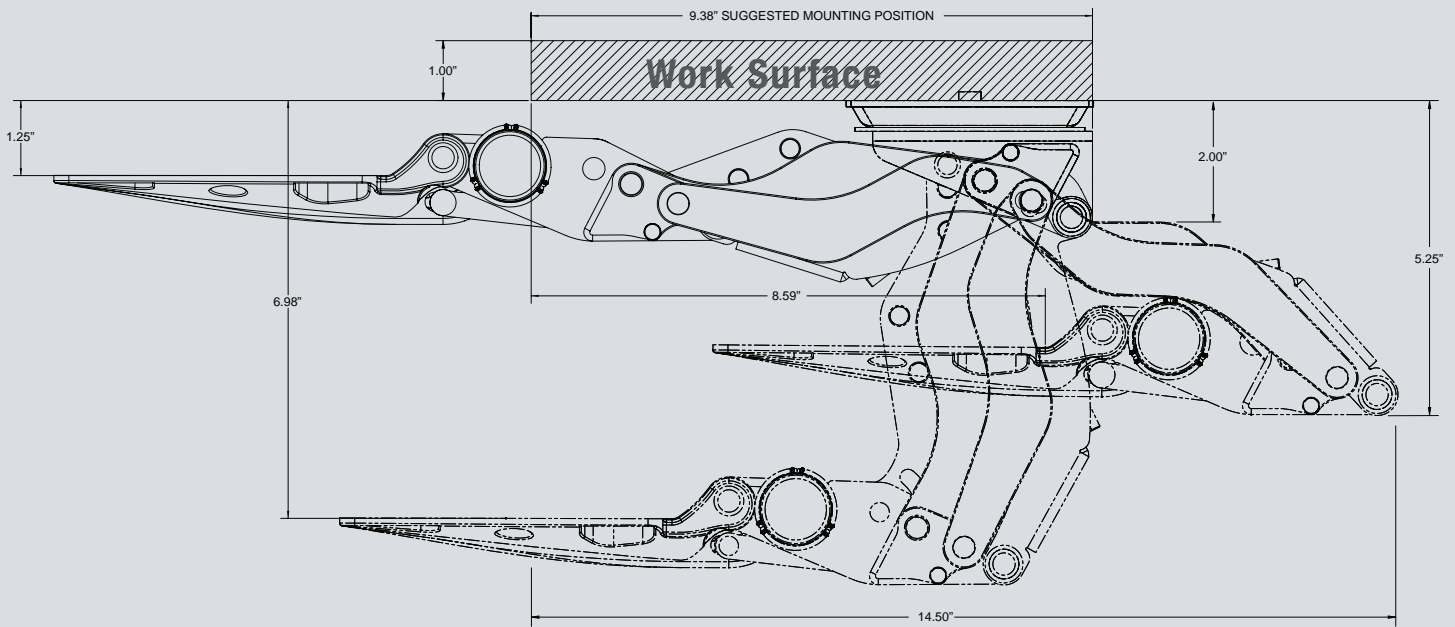
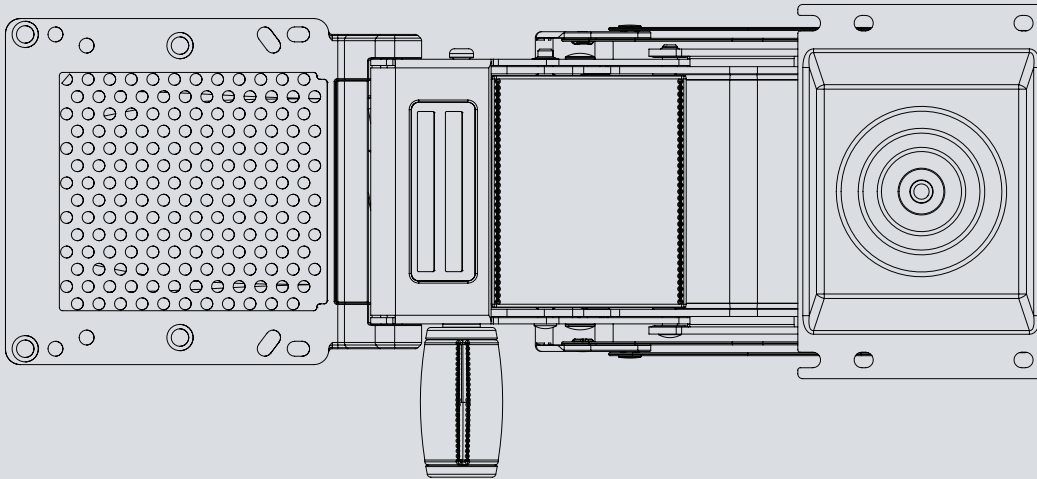
The Compadre trackless keyboard arm, engineered to fit workspaces such as height adjustable tables and benching systems, where space is limited and conventional track mounted keyboard arms will not fit. This revolutionary new product provides the user with Lift-N-Lock™ capability, dial tilt and separate height and tilt gauges and functionality that can only be found on high end keyboard arms.

### Features

- Direct Mount, no track required
- Total height adjustment of 5.73" (-1.25" to -6.98" under the desk surface)
- Enhanced patented Lift-N-Lock™ braking mechanism
- Soft Touch Knob Dial Tilt with +10° to -15° tilt angles
- Low profile tray head
- Separate height and tilt gauges
- 360° of Swivel
- Optional factory or field installable tilt lockout available
- Optional glide track available

### Benefits

- Full storage in 9 3/8" undersurface space
- Exceeds HFES & BIFMA 5th percentile seated keyboarding heights (HFES 22" BIFMA 22.6")
- Easy height adjustment, providing superior lock up and stability with infinite adjustment
- ADA Compliant tilt adjustment with easily accessible tilt knob
- Greater knee clearance under desk surface
- Allows accurate, repeatable tray placement
- Allows side to side arm movement
- Locks out positive tilt for specific ergonomic applications or users preference
- Provides increased storage where space



Model	Height Range (Below mounting surface)	Tilt	Length	Finish	Weight
500848290	-1.25" / -6.98"	+10° / -15°	17.5"	Black	5.8 lbs
<b>Combo</b>					
5008482C1	-1.25" / -6.98"	+10° / -15°	21.93"	Black	10.0 lbs
5008482C3	-1.25" / -6.98"	+10° / -15°	21.93"	Black	11.1 lbs



☎ 1-866-440-0448  
 ergoinfo@richelieu.com

[www.richelieuergo.com](http://www.richelieuergo.com)