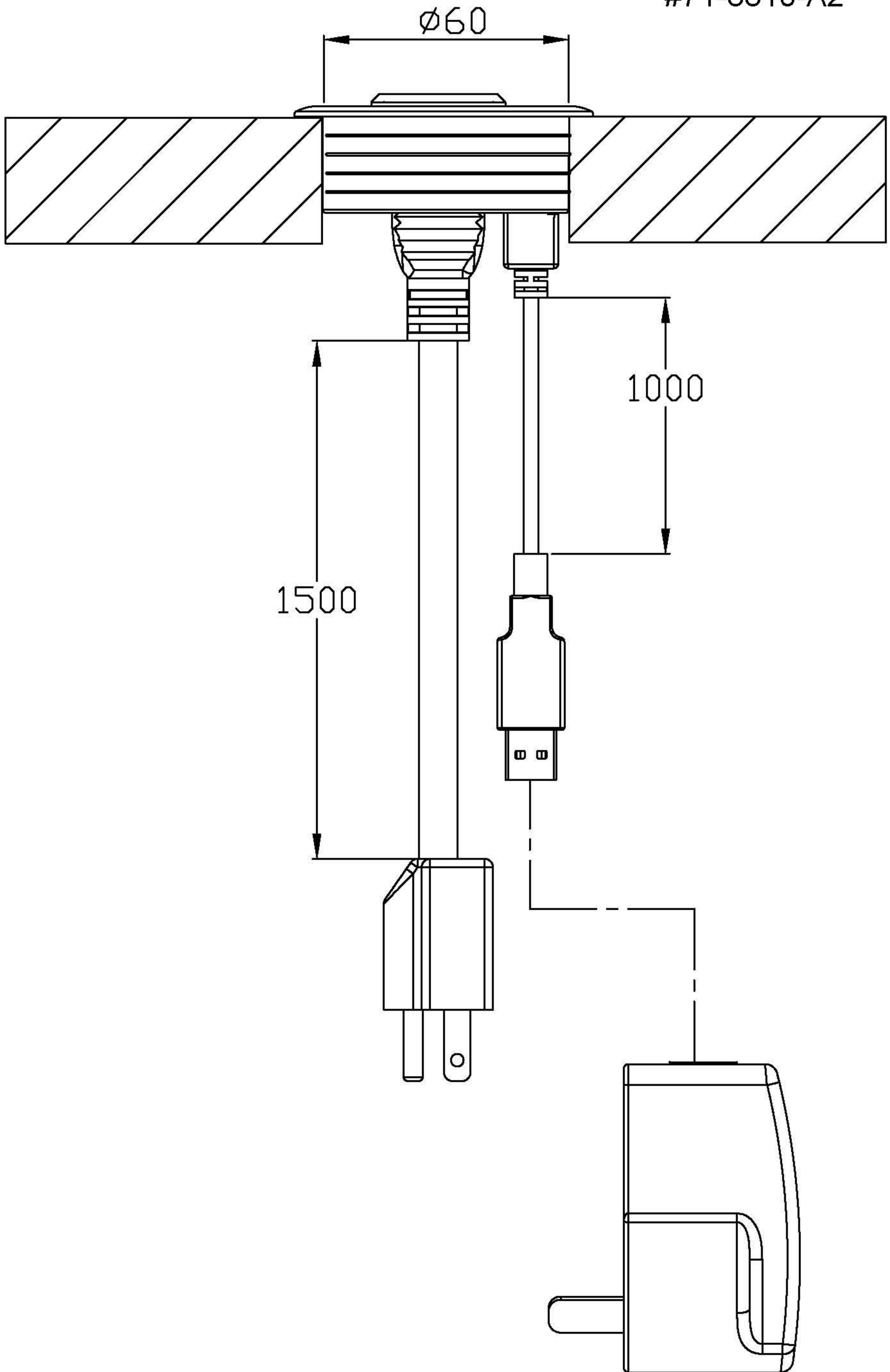
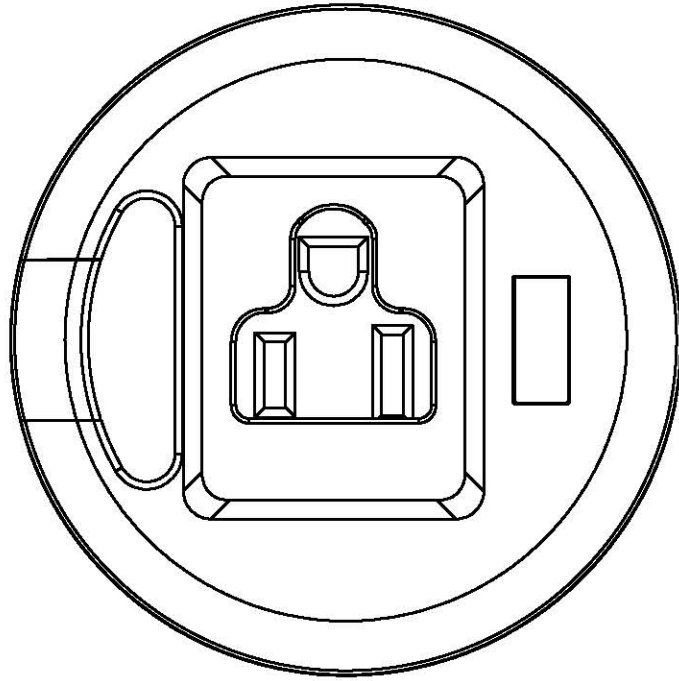


unit:mm

#71-8810-A2





1 POWER SOCKET: 1 US STANDARD (UL) CORD WITH PLUG AND SOCKET / POWER CORD 1.5M / AC 110V 10A

1 USB2.0 SOCKET: 1 USB PORT FOR DATA EXCHANGE OR POWER CHARGE @ 2A WITH ADDITIONAL POWER ADAPTOR / USB WIRE 1M

