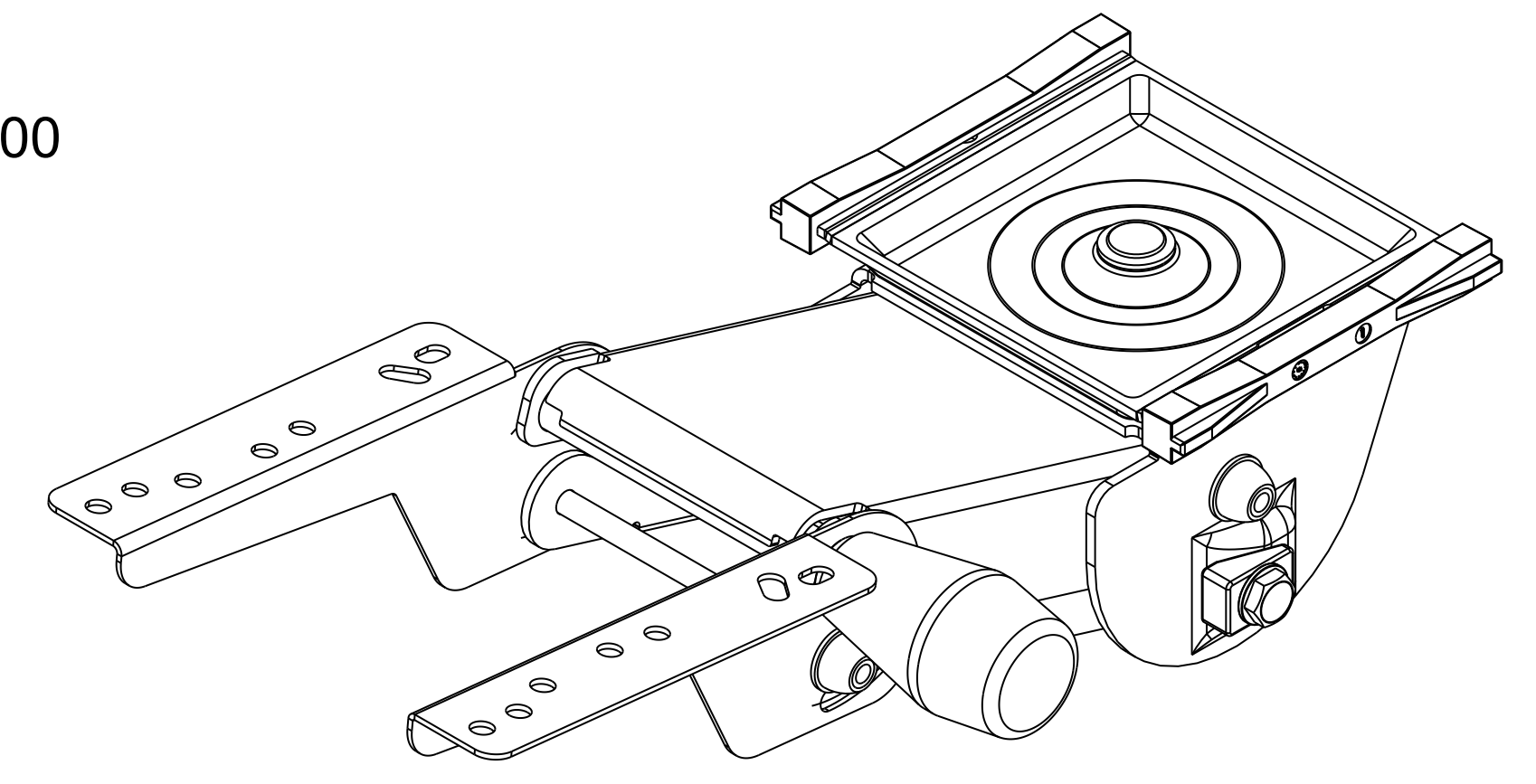
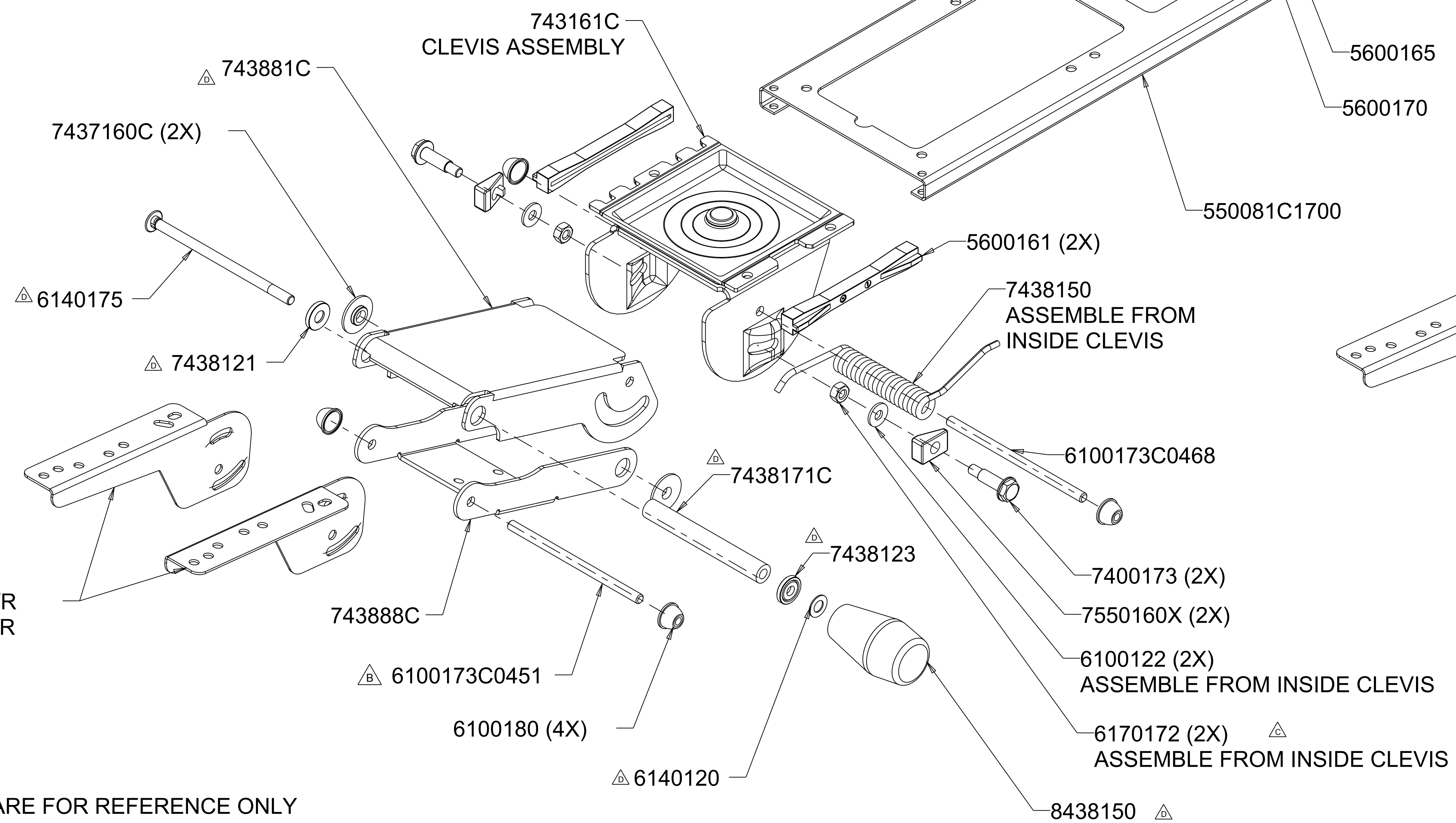
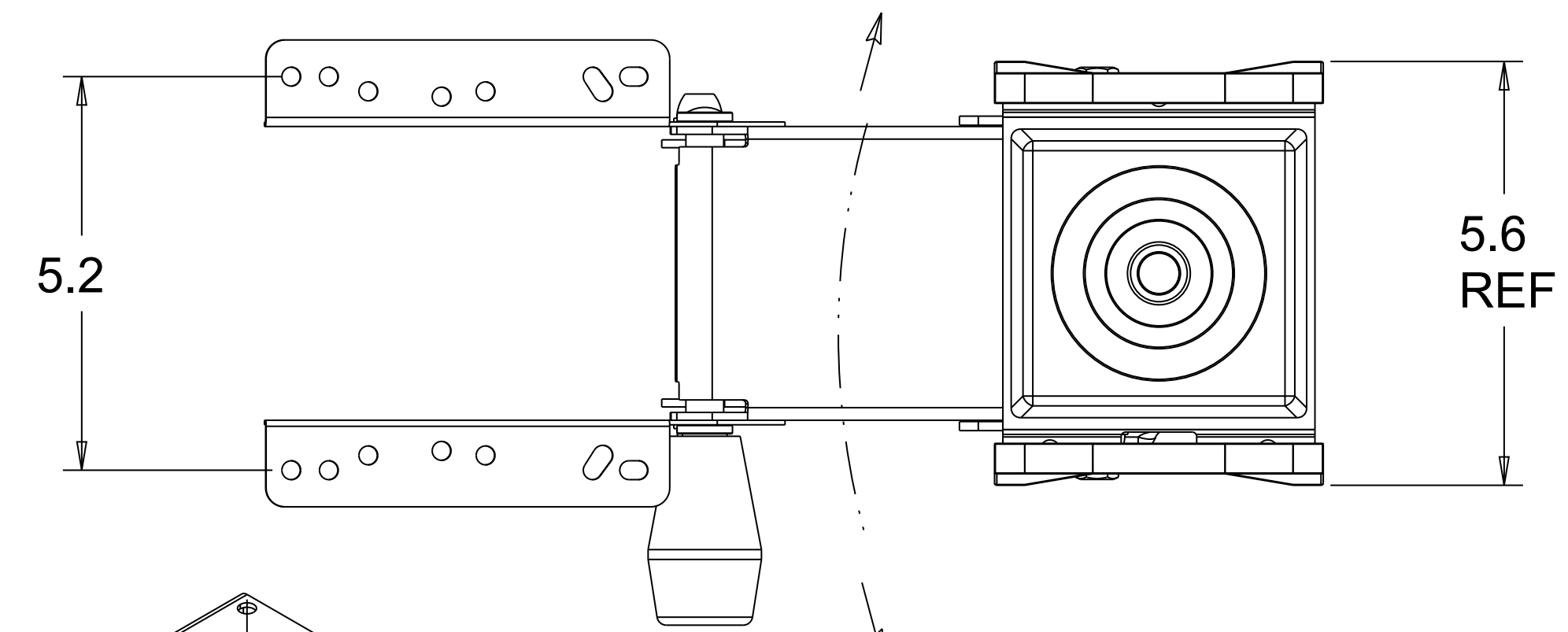
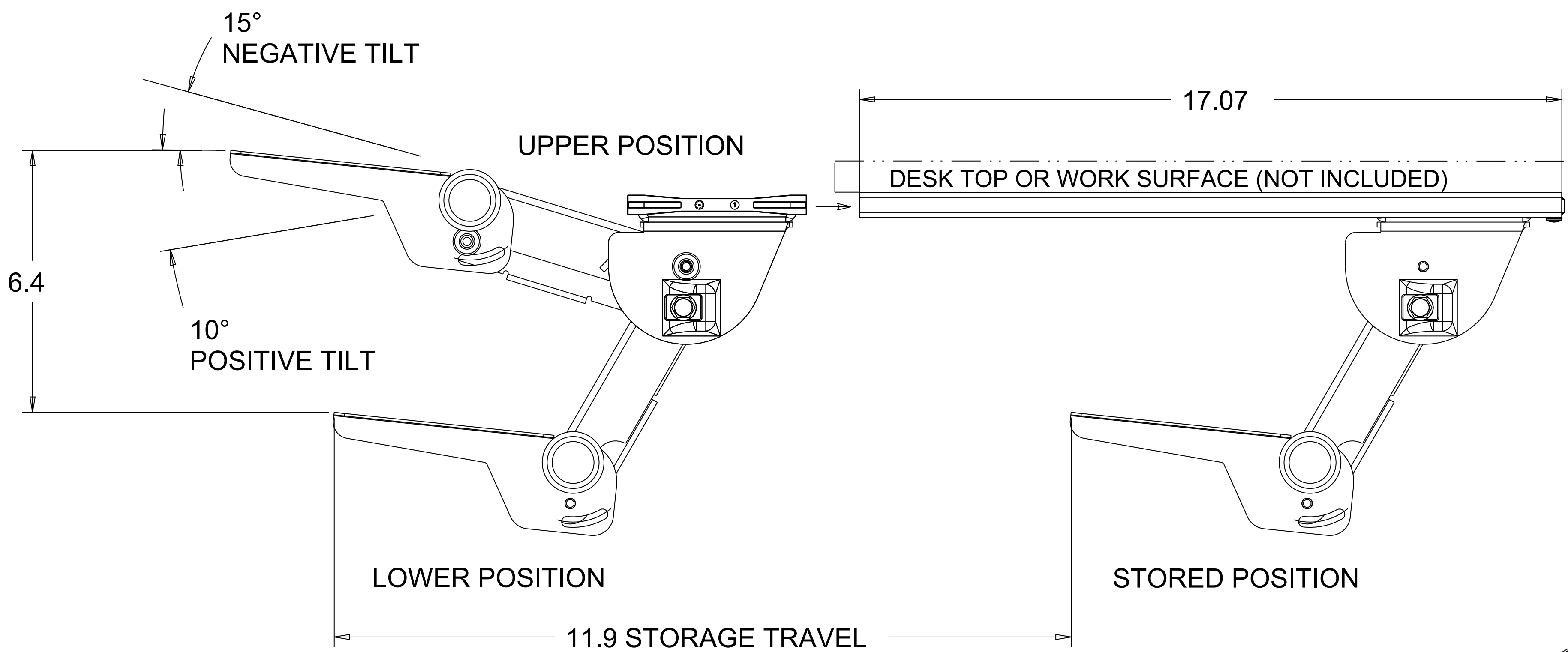


ECN	REV	DESCRIPTION	BY	DATE	CKD
E6687	A	RELEASED FOR PRODUCTION	JWM	04-10-06	AN
C4510	B	6100173C0451 WAS 6100173C0444	JWM	05-26-06	AN
C4984	C	6170172 (2X) WAS 7400171 (2X)	SB	09-01-10	JWM
C5003	D	743881C WAS 753281X; P/NOS. 6140175, 7438121, 7438171C, 7438123, 614020, 8438150 REPLACED 6100173C0451 (1X), 6100180 (2X)	SB	09-22-10	JWM
E7463	E	ADDED FINISHED GOOD P/N 7431TK17	JWM	05-MAY-11	



P/N 7431D17: 743182L/R  
P/N 7431TK17: 743152L/R

**FINISHED GOODS P/NS:  
7431D17, 7431TK17**

TOLERANCES		INCH	METRIC
Unless otherwise specified:		X.X ± .030	X ± .76mm
		X.XX ± .020	X.X ± .50mm
		X.XXX ± .010	X.XX ± .25mm
		ANGLE ± 5°	ANGLE ± 5°

UNITS:	INCH	MATERIAL:	SEE PRINT
SCALE:	0.500	FINISH:	SEE PART PRINTS
CREATE DATE:	04-10-06	ROLL FORM:	N/A
DESIGNED BY:	JWM	MODEL NAME:	7431D
DESCRIPTION:		ECONOMY LIFT-N-LOCK ARM	
DRAWING NUMBER:		7431D	
Format		A.6	
1 of 1 SHEETS			

2. ALL DIMENSIONS SHOWN ARE FOR REFERENCE ONLY  
1. SPECIFICATIONS SUBJECT TO CHANGE WITHOUT NOTICE